

RM #	ROOM NAME	FLOOR		BASE			WAINSCOT			NORTH WALL		EAST WALL		SOUTH WALL		WEST WALL		CEILING			REMARKS
		MAT.	COLOR	MAT.	COLOR	HT.	MAT.	COLOR	HT.	MAT.	COLOR	MAT.	COLOR	MAT.	COLOR	MAT.	COLOR	MAT.	COLOR	HT.	
		PT	PT-1	PT	PT-1	4"	PT	PT-1	4"	PT	PT-1	4"	PT	PT-1	4"	PT	PT-1	4"	PT	PT-1	
101	ENTRY	PT	PT-1	PT	PT-1	4"	---	---	---	---	---	---	---	---	---	---	---	---	---	---	2, 4
102	CONFERENCE ROOM	CPT	CPT-1	RB	RB1	4"	---	---	---	---	---	---	---	---	---	---	---	---	---	---	2, 3, 4, 8
103	EQUIPMENT ROOM	CAF	CAF-1	RB	RB1	4"	---	---	---	---	---	---	---	---	---	---	---	---	---	---	2, 3, 4, 9
104	OFFICE	CPT	CPT-1	RB	RB1	4"	---	---	---	---	---	---	---	---	---	---	---	---	---	---	2, 3, 4, 8
105	OFFICE	CPT	CPT-1	RB	RB1	4"	---	---	---	---	---	---	---	---	---	---	---	---	---	---	3, 4
106	OFFICE	CPT	CPT-1	RB	RB1	4"	---	---	---	---	---	---	---	---	---	---	---	---	---	---	3, 4
107	CORRIDOR	CPT	CPT-1	RB	RB1	4"	---	---	---	---	---	---	---	---	---	---	---	---	---	---	3, 4
108	UNISEX RESTROOM	PT	PT-2	CT	CTB-1	4"	CT	CT 1 & 2	48"	---	---	---	---	---	---	---	---	---	---	---	3, 4, 5, 7
109	SYS TRAINING ROOM	CPT	CPT-1	RB	RB1	4"	---	---	---	---	---	---	---	---	---	---	---	---	---	---	2, 3, 4, 6
110	MECHANICAL	SSC	SSC-1	RB	RB1	4"	---	---	---	ES	---	---	---	---	---	---	---	---	---	---	1, 4

MARK	QTY.	SIGN TYPE	DESCRIPTION
S1	1	C	102 CONFERENCE
S2	2	A	103 EQUIPMENT ROOM
S3	1	A	104 OFFICE
S4	1	A	105 OFFICE
S5	1	A	106 OFFICE
S6	1	B	108 RESTROOM W/WOMAN & MAN/HANDICAP SYMBOLS
S7	1	A	109 SYSTEMS TRAINING
S8	1	A	110 MECHANICAL

FINISH REMARKS:

- PAINT ALL EXPOSED STRUCTURE.
- PROVIDE INTEGRAL COLOR IMPACT-RESISTANT CORNER GUARDS FROM FLOOR TO CEILING AT ALL OUTSIDE GYPSUM BOARD CORNERS. SEE COLOR SCHEDULE.
- FACTORY-FINISH SOLID CORE WOOD DOORS. SEE COLOR SCHEDULE SPECIFICATIONS.
- PAINT HOLLOW METAL DOOR FRAMES. SEE COLOR SCHEDULE SPECIFICATIONS.
- PROVIDE 5/8" TYPE 'X' MOLD & MOISTURE-RESISTANT GYPSUM BOARD.
- PROVIDE PLASTIC LAMINATE CLAD STORAGE CABINET. SEE COLOR SCHEDULE.
- PROVIDE 4"-0" HIGH CERAMIC WALL TILE WAINSCOT AND BASE, TYPICAL. SEE SPECIFICATIONS. PROVIDE 4" HIGH BASE. WAINSCOT SHALL HAVE 4-1/4" X 4-1/4" FIELD TILE, AND TWO ROWS OF 4-1/4" X 4-1/4" ACCENT TILE, TYPICAL.
- PROVIDE ALUMINUM HORIZONTAL MINI-BLINDS AT ALL WINDOWS. COLOR SHALL MATCH WALL COLOR.
- COMPUTER ACCESS FLOOR FINISH COLOR SHALL BE SELECTED BY CONTRACTING OFFICER FROM MANUFACTURER'S FULL RANGE OF COLORS.

FINISH LEGEND:

- CAF COMPUTER ACCESS FLOOR W/ HIGH PRESSURE LAMINATE FINISH
 CPT CARPET TILE
 ES EXPOSED STRUCTURE, PAINTED
 GR GROUT
 P PAINT
 PCMU PAINTED CONCRETE MASONRY UNITS
 PGB PAINTED GYPSUM BOARD
 PL PLASTIC LAMINATE
 PT PORCELAIN CERAMIC FLOOR TILE, 12"x12"
 RB RUBBER BASE
 SAP SUSPENDED ACOUSTICAL PANEL CEILING SYSTEM, 2'x2'x3/4" HUMIDITY-RESISTANT TILE AND CORROSION-RESISTANT GRID
 SSC SEALED AND STAINED CONCRETE
 ST STAIN

EXTERIOR FINISH NOTES

- SPLIT-FACE CMU SHALL BE PAINTED SHERWIN-WILLIAMS "TOWNHOUSE TAN" SW#2186.
- STANDING SEAM METAL ROOFING SHALL BE MEDIUM BRONZE.
- HOLLOW METAL DOORS AND FRAMES SHALL BE PAINTED TO MATCH DARK BRONZE OF NEW ANODIZED DARK BRONZE ALUMINUM WINDOWS, EXCEPT FOR DOORS/FRAME #12 WHICH SHALL BE PAINTED SHERWIN-WILLIAMS "TOWNHOUSE TAN" SW#2186 TO MATCH EXTERIOR CMU.

COLOR SCHEDULE

SYMBOL	MATERIAL	MANUFACTURER	COLOR
CG-1	CORNER GUARD	INPRO CORPORATION	130BN BLUOSE SURFACE MOUNT: 90 DEGREES, 3" WING, 9'-0" TALL; COLOR D118 KHAKI BROWN
GR1	GROUT (FLOOR)	MAPEI	COLOR # 15 BONE - SANDED
GR2	GROUT (WALL)	MAPEI	COLOR # 38 AVALANCHE - UNSANDED
PT-1	PORCELAIN FLOOR TILE 12" X 12"	AMERICAN OLEAN: SHADOW BAY	COLOR #SH51 BEACH SAND
PT-2	PORCELAIN MOSAIC FLOOR TILE 2" X 2"	AMERICAN OLEAN	COLOR A89 COCOA
P1	WALL PAINT	SHERWIN WILLIAMS	RESTFUL WHITE SW#7563
P2	DOORS/FRAMES PAINT (EXTERIOR)	SHERWIN WILLIAMS	MATCH NEW DARK BRONZE ANODIZED ALUMINUM WINDOWS.
P3	DOORS/FRAMES PAINT (EXTERIOR DOOR #12 ONLY)	SHERWIN WILLIAMS	TOWNHOUSE TAN SW#2186
P4	DOORS/FRAMES PAINT (INTERIOR)	SHERWIN WILLIAMS	SOFTER TAN SW#6141
P5	CEILING	SHERWIN WILLIAMS	CEILING BRIGHT WHITE SW#7007
CT-1	CERAMIC WALL TILE 4 1/2" X 4 1/2"	DALTILE: SEMI-GLOSS	COLOR 0100 WHITE
CT-2	CERAMIC WALL TILE 4 1/2" X 4 1/2"	DALTILE: SEMI-GLOSS	COLOR D161 URBAN PUTTY
CTB-1	CERAMIC SANITARY COVE 4 1/2" X 6"	DALTILE: SEMI-GLOSS	COLOR 0100 WHITE: PART S-3419T
PL1	PLASTIC LAMINATE	WILSONART	COLOR 7909-60 FUSION MAPLE
RB1	RUBBER WALL BASE	JOHNSONITE	#32 PEBBLE
SAP1	ACOUS. CLG. PANELS	ARMSTRONG 2'X2'X3/4"	1820 REGULAR REVEAL EDGE
ST1	STAIN	SHERWIN WILLIAMS	CLEAR FINISH (BIRCH)
SSC	CONCRETE STAIN	SHERWIN WILLIAMS H&C CONCRETE STAIN	COLOR CLEAR
CPT-1	CARPET TILE	TARKETT TANDUS CENTIVA	STYLE: CRAYON 01957; COLOR: PRECIOUS METAL #48010
CAF-1	COMPUTER ACCESS FLOOR LAMINATE	NEVAMAR HIGH PRESSURE LAMINATE	COLOR: WINTER GRAY MATRIX MR6005FT

NOTE: MANUFACTURER'S LISTED ARE INTENDED ONLY FOR BASIS OF DESIGN. NAMED PRODUCTS ARE ACCEPTABLE FOR USE ONLY WHEN THEY CONFORM TO SPECIFIED REQUIREMENTS. PRODUCTS OF OTHER MANUFACTURERS ARE ACCEPTABLE IF THE COLORS APPROXIMATE COLORS INDICATED AND THE PRODUCT CONFORMS TO SPECIFIED REQUIREMENTS.

DOOR SCHEDULE

NUMBER	TYPE	MATERIAL	SIZE			HEAD DETAIL	JAMB DETAIL	SILL DETAIL	FRAME		FIRE RATING	SOUND RATING	HWRE SET	REMARKS	RM #
			WIDE	HIGH	THICK				MATERIAL	TYPE					
01	A	GHM	3'-0"	7'-0"	1-3/4"	1/A8	2/A8	3/A8	GHM	C	---	---	4	1, 2	101
02	B	SCWD	3'-0"	7'-0"	1-3/4"	4/A8	5/A8	---	GHM	B	---	STC 45	3	---	102
03	C	SCWD	3'-0"	7'-0"	1-3/4"	4/A8	5/A8	---	GHM	B	---	STC 45	3	---	103
04	C	SCWD	3'-0"	7'-0"	1-3/4"	4/A8	5/A8	---	GHM	B	---	STC 45	3	---	103
05	B	GHM	3'-0"	7'-0"	1-3/4"	1/A8	2/A8	3/A8	GHM	C	---	---	4	1, 2	103
06	B	SCWD	3'-0"	7'-0"	1-3/4"	4/A8	5/A8	---	GHM	B	---	STC 45	3	---	104
07	B	SCWD	3'-0"	7'-0"	1-3/4"	4/A8	5/A8	---	GHM	B	---	STC 45	3	---	105
08	B	SCWD	3'-0"	7'-0"	1-3/4"	4/A8	5/A8	---	GHM	B	---	STC 45	3	---	106
09	B	SCWD	3'-0"	7'-0"	1-3/4"	4/A8	5/A8	---	GHM	B	---	STC 45	3	---	109
10	B	SCWD	3'-0"	7'-0"	1-3/4"	4/A8	5/A8	---	GHM	B	---	STC 45	2	---	108
11	A	GHM	3'-0"	7'-0"	1-3/4"	1/A8	2/A8	3/A8	GHM	C	---	---	4	1, 2	109
12	B	GHM	PR 3'-0"	7'-0"	1-3/4"	1/A8	2/A8	3/A8	GHM	A	---	---	1	1, 2	110

DOOR SCHEDULE LEGEND:

- GHM GALVANIZED HOLLOW METAL
 SCWD SOLID CORE WOOD

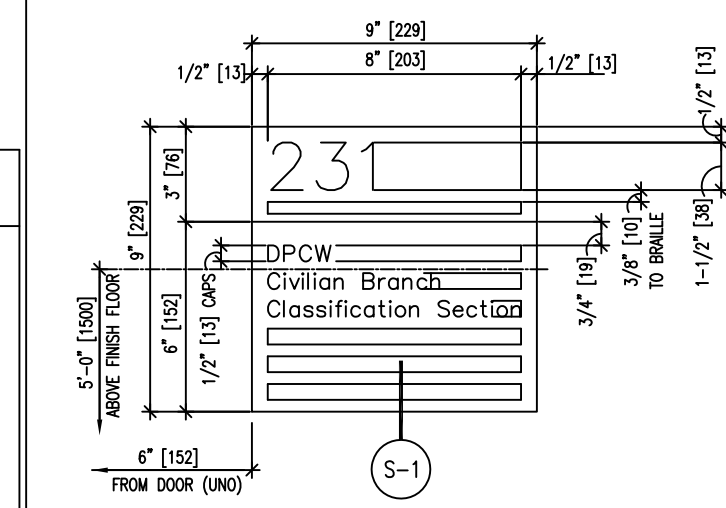
DOOR SCHEDULE REMARKS:

- INSULATED DOOR, FRAME AND HARDWARE SHALL COMPLY WITH AT/FP REQUIREMENTS.
- DOOR, FRAME, AND HARDWARE SHALL BE EXTRA HEAVY DUTY GRADE.

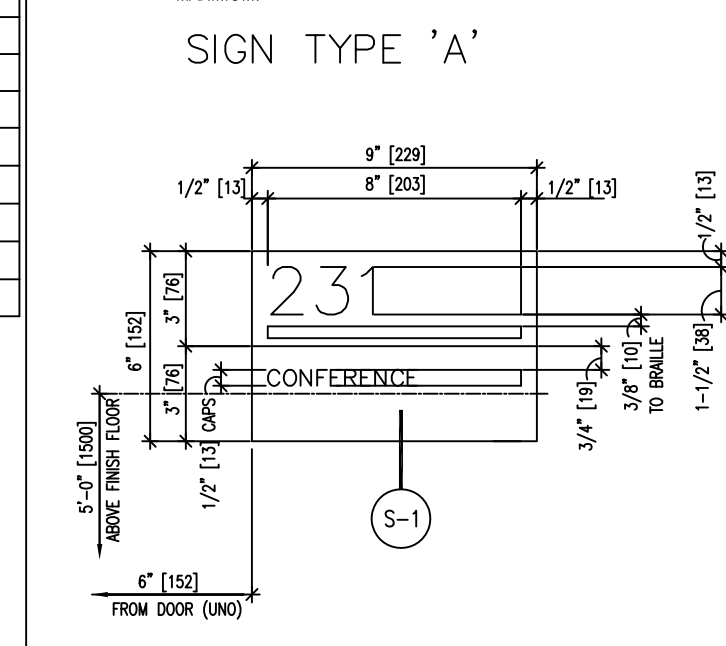
SIGNAGE NOTES

- PROVIDE AND INSTALL SIGNS IN ACCORDANCE WITH UFC 3-120-01 DESIGN SIGN STANDARDS AND ARCHITECTURAL BARRIERS ACT STANDARDS.
- VERIFY MESSAGE CONTENT AND COLORS OF SIGNS WITH CONTRACTING OFFICER BEFORE ORDERING.
- SIGN S8 SHALL BE EXTERIOR GRADE AND INSTALLED ON INACTIVE LEAF OF DOUBLE DOORS.

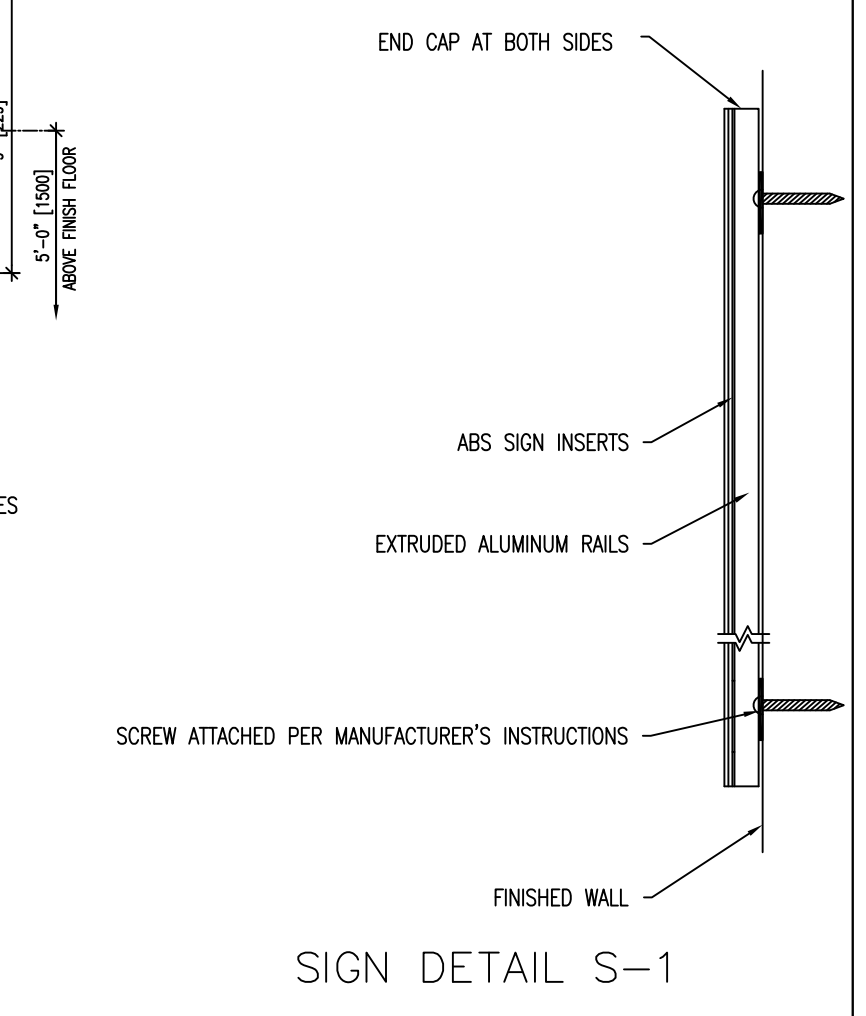
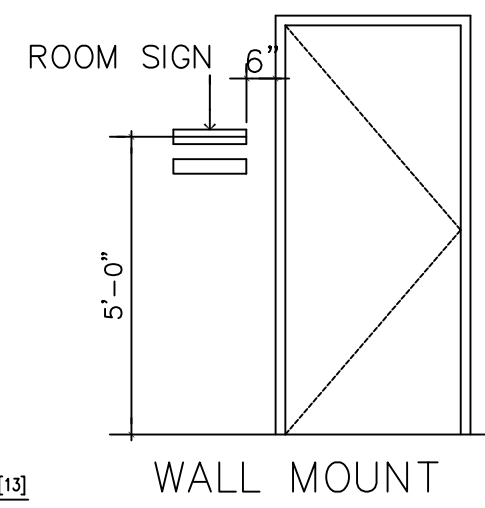
SIGN TYPES



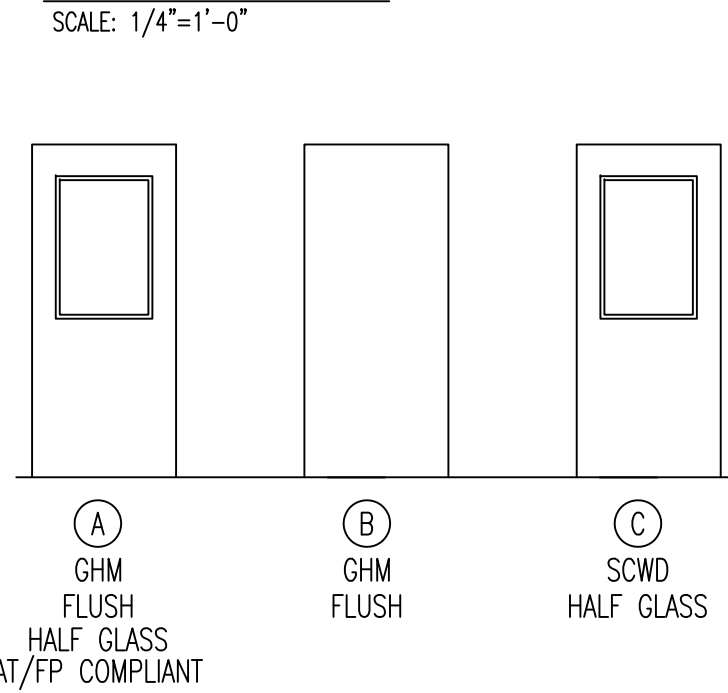
NOTE: TYPOGRAPHY-- (ROOM NUMBER) HELVETICA NEUE 55 ROMAN 1-1/2" [38] NUMBERS, FLUSH LEFT AND ACCOMPANYING GRADE TWO BRILLE (SECONDARY INFORMATION) UPPER AND LOWER CASE 3/4" [19] CAPITAL LETTER HEIGHT, FLUSH LEFT. INSERT AREA-- WILL ACCOMMODATE FOUR LINES WITH 21 TILES OR CHARACTERS PER LINE MAXIMUM.



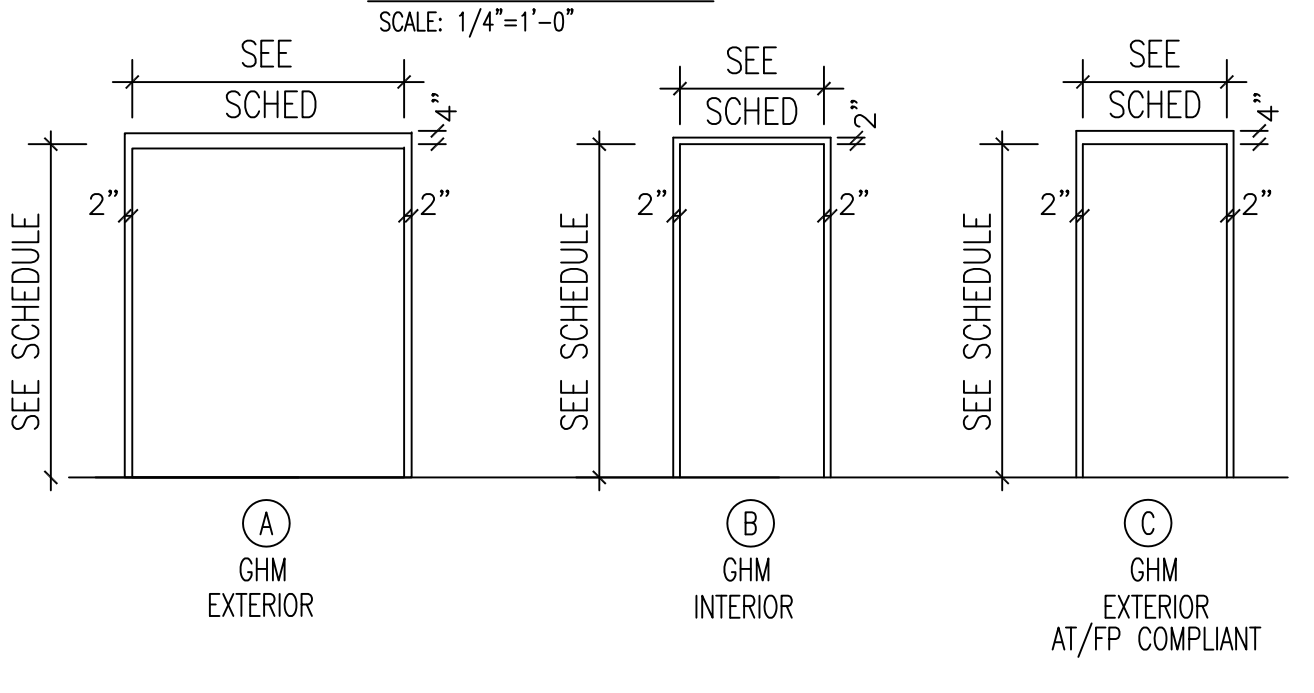
NOTE: TYPOGRAPHY-- (ROOM NUMBER) HELVETICA NEUE 55 ROMAN 1-1/2" [38] NUMBERS, FLUSH LEFT AND ACCOMPANYING GRADE TWO BRILLE (TENANT NAME) UPPER AND LOWER CASE 3/4" [19] CAPITAL LETTER HEIGHT, FLUSH LEFT.



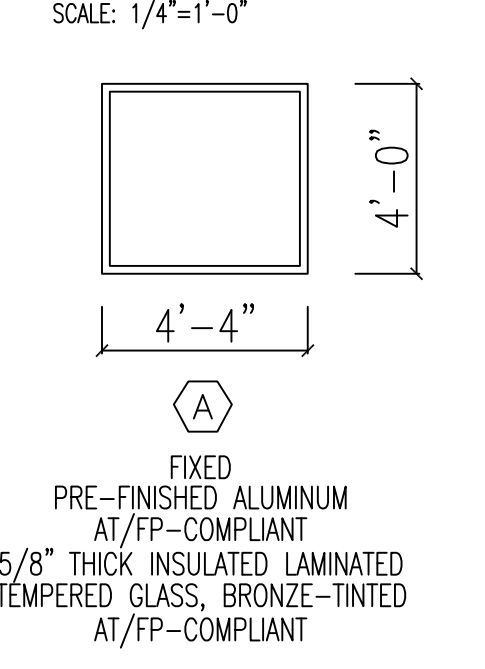
DOOR TYPES



FRAME TYPES



WINDOW TYPES



GENERAL NOTES

- REFER TO PLUMBING, MECHANICAL, ELECTRICAL, AND FIRE PROTECTION DOCUMENTS FOR ADDITIONAL WORK, TYPICAL.
- CONTRACTOR SHALL FIELD-VERIFY ALL DIMENSIONS AND CONDITIONS ABOVE AND BELOW GRADE PRIOR TO BEGINNING ANY WORK, AND SHALL NOTIFY THE CONTRACTING OFFICER IMMEDIATELY OF ANY AND ALL CONFLICTS OR DISCREPANCIES.
- CONTRACTOR SHALL PROTECT ALL EXISTING MATERIALS, FINISHES, SURFACES AND EQUIPMENT TO REMAIN FROM DAMAGE DURING EXTENT OF WORK. CONTRACTOR SHALL REPAIR OR REPLACE, AS DIRECTED BY THE CONTRACTING OFFICER ANY AND ALL MATERIALS, FINISHES, SURFACES, AND EQUIPMENT DAMAGED BY THE WORK.

HARDWARE SETS

- HW-1 DOOR 12**
- 3 PAIR HINGES A5112, 4 1/2" x 4 1/2" NRP, 630
 - 1 LOCKSET F86 GRADE 1, LEVER 630
 - 1 CYLINDER 630
 - 1 CLOSER ALUM. LAQ.
 - 2 SURFACE BOLTS 630
 - 1 THRESHOLD X 72" ALUM
 - 2 KICKPLATE J102, 630
 - 2 FLOOR STOPS 630
 - 1 ASTRAGAL
 - 1 OVERHEAD STOP & HOLD-OPEN 630
 - 2 SET WEATHERSTRIPPING
 - 2 RAIN DRIP
 - 2 NEOPRENE DOOR BOTTOM SEAL

- HW-3 DOORS 02, 03, 04, 06, 07, 08, 09**
- 1 1/2 PAIR HINGES A5112, 4 1/2" x 4 1/2" NRP US26D
 - 1 LOCKSET F109, GRADE 1, LEVER US26D
 - 1 CYLINDER US26D
 - 1 CLOSER US26D
 - 1 WALL STOP US26D
 - 1 KICKPLATE J102, 630
 - 3 SILENCERS RUBBER

- HW-4 DOORS 01, 05, 11**
- 1 1/2 PAIR HINGES A5112, 4 1/2" x 4 1/2" NRP, 630
 - 1 EXIT DEVICE F109, GRADE 1, LEVER 630
 - 1 CYLINDER 630
 - 1 CLOSER ALUM. LAQ.
 - 1 THRESHOLD ALUM
 - 1 KICKPLATE J102, 630
 - 1 SET WEATHERSTRIPPING
 - 1 RAIN DRIP
 - 1 NEOPRENE DOOR BOTTOM SEAL

- HW-2 DOOR 10**
- 1 1/2 PAIR HINGES A5112, 4 1/2" x 4 1/2" NRP US26D
 - 1 PRIVACY SET F76, GRADE 1, LEVER US26D
 - 1 CYLINDER US26D
 - 1 WALL STOP L02251, US26D
 - 1 KICKPLATE J102, US26D
 - 3 SILENCERS RUBBER

- HW-5 EXISTING GATE (RELOCATED)**
- 2 POST HINGES EXISTING TO REMAIN
 - 1 EXIT DEVICE F109, GRADE 1, EXTERIOR PULL
 - 1 CYLINDER 630

DO NOT SCALE DRAWINGS

FINAL - FOR CONSTRUCTION



APPROVED: [Signature] CHIEF ENGINEER APPROVED: [Signature] CIVIL ENGINEER

DATE: 14 FEB 2017

DESIGNED BY: JEF

DRAWN BY: JEF

BUILDING NO.: 91068

PROJECT NO.: FETV16-1066

SHEET REF.: A7

SHEET NO.: 19 OF 48

CONSTRUCT TRAINING FACILITY 2 CWSS BUILDING 91068

SCHEDULES: DOOR & FRAME TYPES

AIR FORCE SPECIAL OPERATIONS COMMAND 1 SPECIAL OPERATIONS CIVIL ENGINEER SQUADRON HURLBURT FIELD, FLORIDA