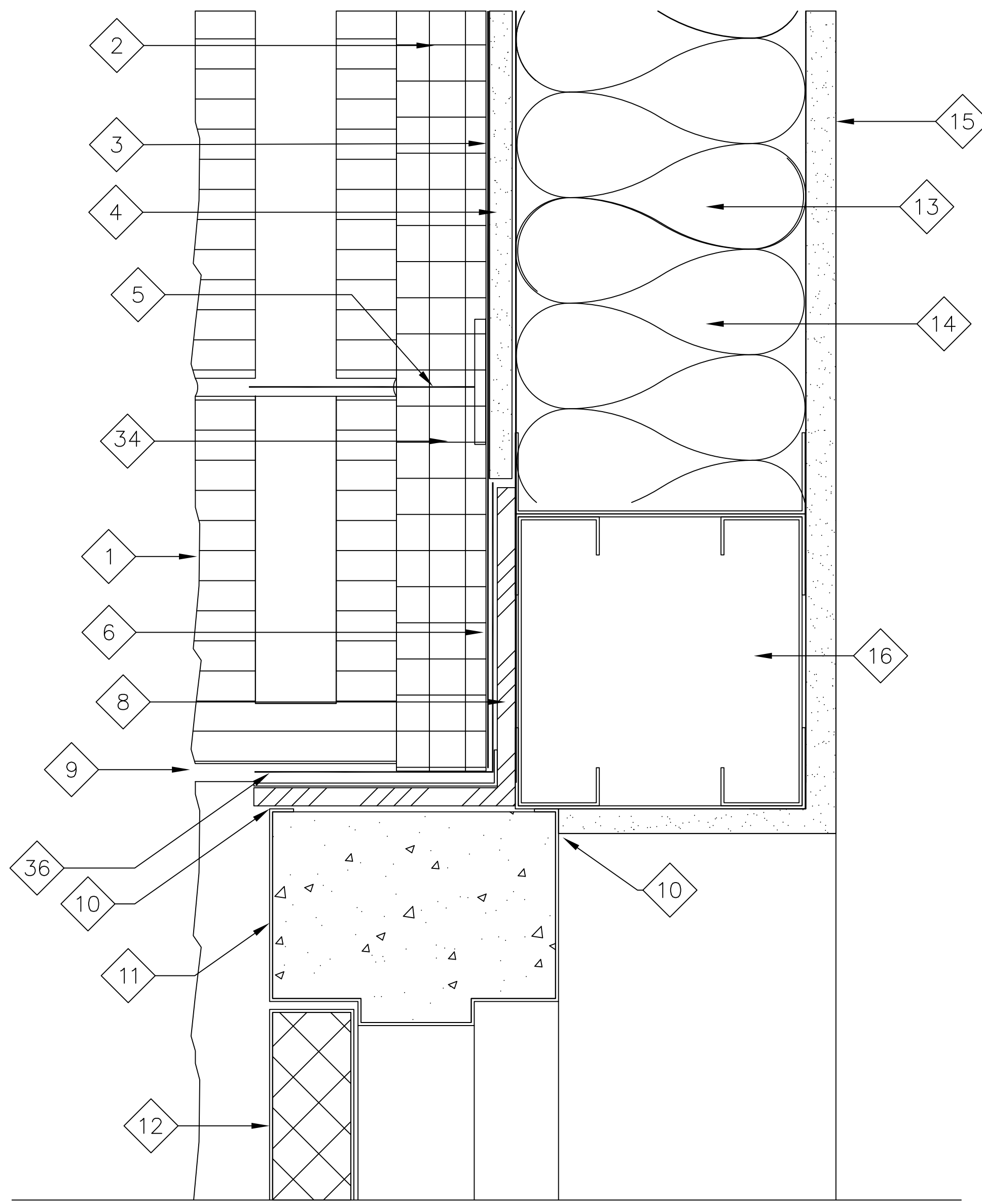


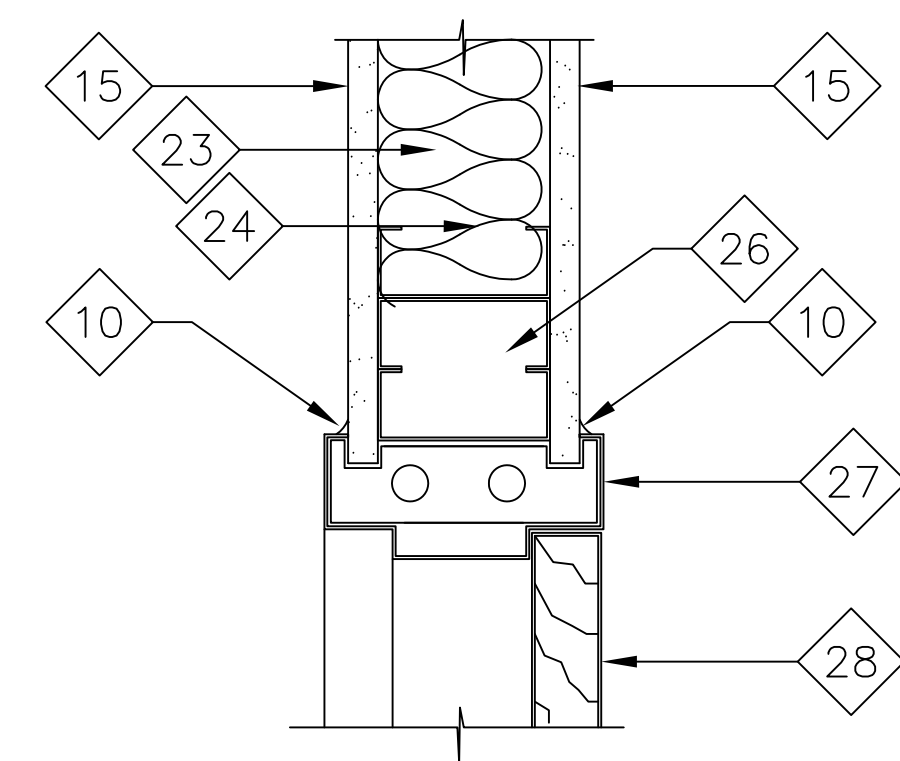
KEYNOTES: THIS SHEET ONLY.

- 1 PAINTED SPLIT-FACE CMU VENEER TO MATCH ADJACENT BUILDING 91024. TYPICAL.
- 2 2" WIDE CLEAR AIR SPACE, CONTINUOUS. TYPICAL.
- 3 AIR AND MOISTURE BARRIER MEMBRANE, CONTINUOUS. SEE SPECIFICATIONS.
- 4 1/2" EXTERIOR FIBERGLASS REINFORCED GYPSUM SHEATHING, CONTINUOUS, TYPICAL. SEE SPECIFICATIONS.
- 5 GALV. STEEL MASONRY TIES AT 16" O.C. BOTH WAYS, MAX. TYPICAL. SEE SPECIFICATIONS.
- 6 CONTINUOUS THROUGH-WALL MEMBRANE FLASHING, TYPICAL. SEE SPECIFICATIONS.
- 7 BACKWRAP EXTERIOR GYPSUM SHEATHING WITH MEMBRANE AIR AND MOISTURE BARRIER, TYPICAL. CONTINUOUS.
- 8 GALV. STEEL LINTEL, CONTINUOUS. PROVIDE MINIMUM 8" BEARING EACH END. SEE STRUCTURAL DOCUMENTS. PAINT ALL EXPOSED SURFACES TO MATCH CMU.
- 9 WEEPS AT 16" O.C. MAX. TYPICAL. SEE SPECIFICATIONS.
- 10 SEALANT, CONTINUOUS. COLOR SHALL MATCH DOOR FRAME.
- 11 GALV. HOLLOW METAL DOOR FRAME, GROUTED SOLID. TYP. PAINT.
- 12 INSULATED GALV. HOLLOW METAL DOOR, PAINTED. SEE DOOR AND HARDWARE SCHEDULES AND SPECIFICATIONS.
- 13 6" 16GA GALV. STEEL STUDS AT 16" O.C. TYPICAL.

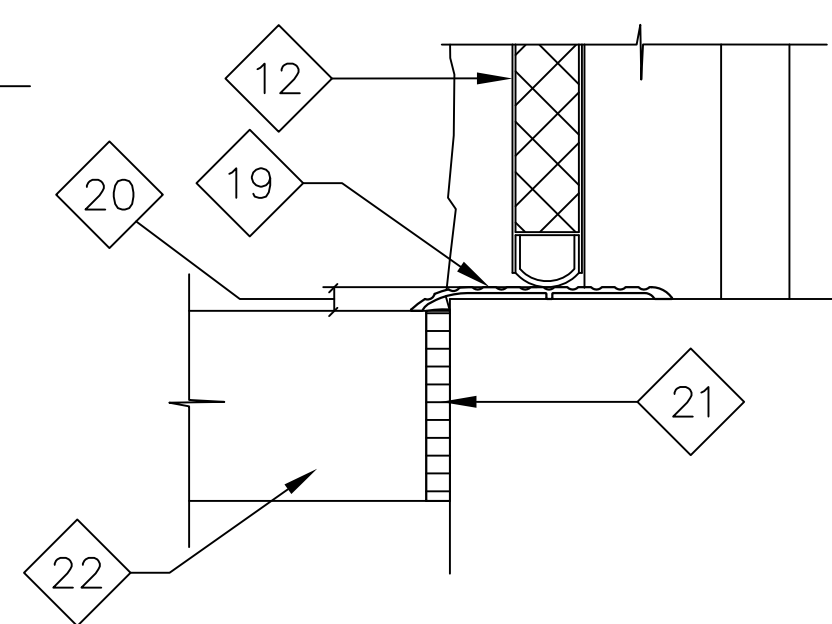
- 14 6" R-19 KRAFT-FACED BATT INSULATION ALL STUD CAVITIES, FULL HEIGHT OF WALL, TYPICAL. SEE SPECS.
- 15 5/8" TYPE 'X' GYPSUM BOARD, PAINTED. PROVIDE MOLD & MOISTURE-RESISTANT TYPE 'X' GYPSUM BOARD AT TOILET AND MECHANICAL ROOMS AND INTERIOR SIDE OF ALL EXTERIOR WALLS. TYPICAL.
- 16 DOUBLE 6" 16GA GALV. STEEL STUDS W/ 6" 16GA GALV. STEEL TRACK TOP & BOTTOM, SCREWED, AS HEADER, TYP.
- 17 DOUBLE 6" 16GA GALV. STEEL STUDS W/ 6" 16GA GALV. STEEL TRACK BOTH SIDES, SCREWED, AS BOX JAMB, TYP.
- 18 SPLIT FACE CMU JAMB BLOCK, TYPICAL. PAINT TO MATCH HURLBURT BASE STANDARD.
- 19 ALUMINUM THRESHOLD SET IN FULL BED OF SEALANT. TYP.
- 20 1/2" MAXIMUM.
- 21 1/2" THICK EXPANSION JOINT MATERIAL, CONTINUOUS. TYP.
- 22 REINFORCED CONCRETE SIDEWALK, SLOPED AWAY FROM BUILDINGS, TYPICAL. SEE CIVIL DOCUMENTS.
- 23 3-5/8" 20GA GALV. STEEL STUDS AT 16" O.C., TYPICAL.
- 24 3" THICK UNFACED SOUND BATT INSULATION ALL STUD CAVITIES, FULL HEIGHT OF WALL. WALL SYSTEM SHALL BE STC 45 MINIMUM. TYPICAL.
- 25 DOUBLE 3-5/8" 20GA GALV. STEEL STUDS W/ 3-5/8" 20GA GALV. STEEL TRACK TOP & BOTTOM, SCREWED, AS HEADER, TYPICAL.
- 26 DOUBLE 3-5/8" 20GA GALV. STEEL STUDS W/ 3-5/8" 20GA GALV. STEEL TRACK BOTH SIDES, SCREWED, AS BOX JAMB, TYP.
- 27 GALV. STEEL DOOR FRAME, PAINTED. TYPICAL. SEE DOOR SCHEDULE. PROVIDE 3 ANCHORS MINIMUM PER JAMB.
- 28 PRE-FINISHED SOLID CORE WOOD DOOR, TYPICAL. SEE DOOR SCHEDULE.
- 29 STAINLESS STEEL THROUGH-WALL CABLE PORT SYSTEM W/ TWO (2) THROUGH-WALL SLEEVES (MIN.), PROJECTING A MINIMUM OF 2" BEYOND INTERIOR AND EXTERIOR FACE PLATES. CONFIRM NUMBER, AND O.D., OF THROUGH-WALL SLEEVES WITH GOVT. PRIOR TO ORDERING/FABRICATING. THROUGH-WALL CABLE PORT SHALL BE MANUFACTURED BY WESTATLANTICTECH CORP., FT. LAUDERDALE, FLORIDA (954-271-0154), OR APPROVED EQUAL. PORT SHALL BE SECURED BY MEANS OF STAINLESS STEEL THREADED THROUGH-BOLTS BY PORT MANUFACTURER. COORDINATE PORT LOCATION WITH GOVERNMENT PRIOR TO INSTALLATION.
- 30 THREADED STAINLESS STEEL CAP FOR INTERIOR OPENINGS OF SLEEVES BY PORT MANUFACTURER.
- 31 CABLES/CONDUIT, ETC. BY GOVT. CONFIRM WITH GOVT. TYPE/ SIZE/QUANTITY OF CABLES/CONDUITS/ETC. TO DETERMINE QUANTITY/O.D. OF PIPE SLEEVES.
- 32 HINGED STAINLESS STEEL CAP WITH HASP FOR PADLOCK FOR EXTERIOR OPENINGS OF SLEEVES BY PORT MANUFACTURER.
- 33 REMOVABLE SPLIT-FACE WEATHER/INSECT SEAL WITH PRESSURE BOLTS BY PORT MANUFACTURER.
- 34 MORTAR NET, CONTINUOUS. TYPICAL. SEE SPECIFICATIONS.
- 35 EXTEND CABLE PORT THROUGH CONTINUOUS AIR AND MOISTURE BARRIER MEMBRANE, AND SEAL ALL PENETRATIONS WATERTIGHT. TYPICAL.
- 36 26GA STAINLESS STEEL DRIP EDGE, WIDTH EQUAL TO HORIZONTAL LEG OF LINTEL WITH 3/4" VERTICAL LEG UP AND DOWN. INSTALL ON TOP OF LINTEL AND INSTALL COPPER-FABRIC FLASHING ON TOP OF DRIP EDGE. SEE SPECIFICATIONS.



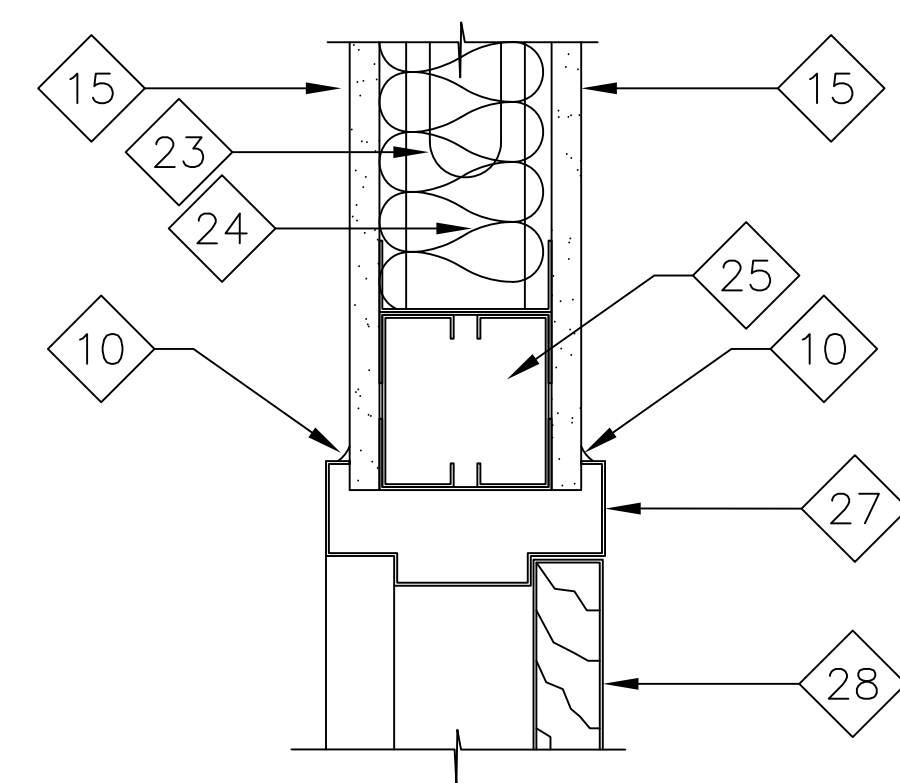
1 HEAD DETAIL
A7/A8 SCALE: HALF FULL SIZE



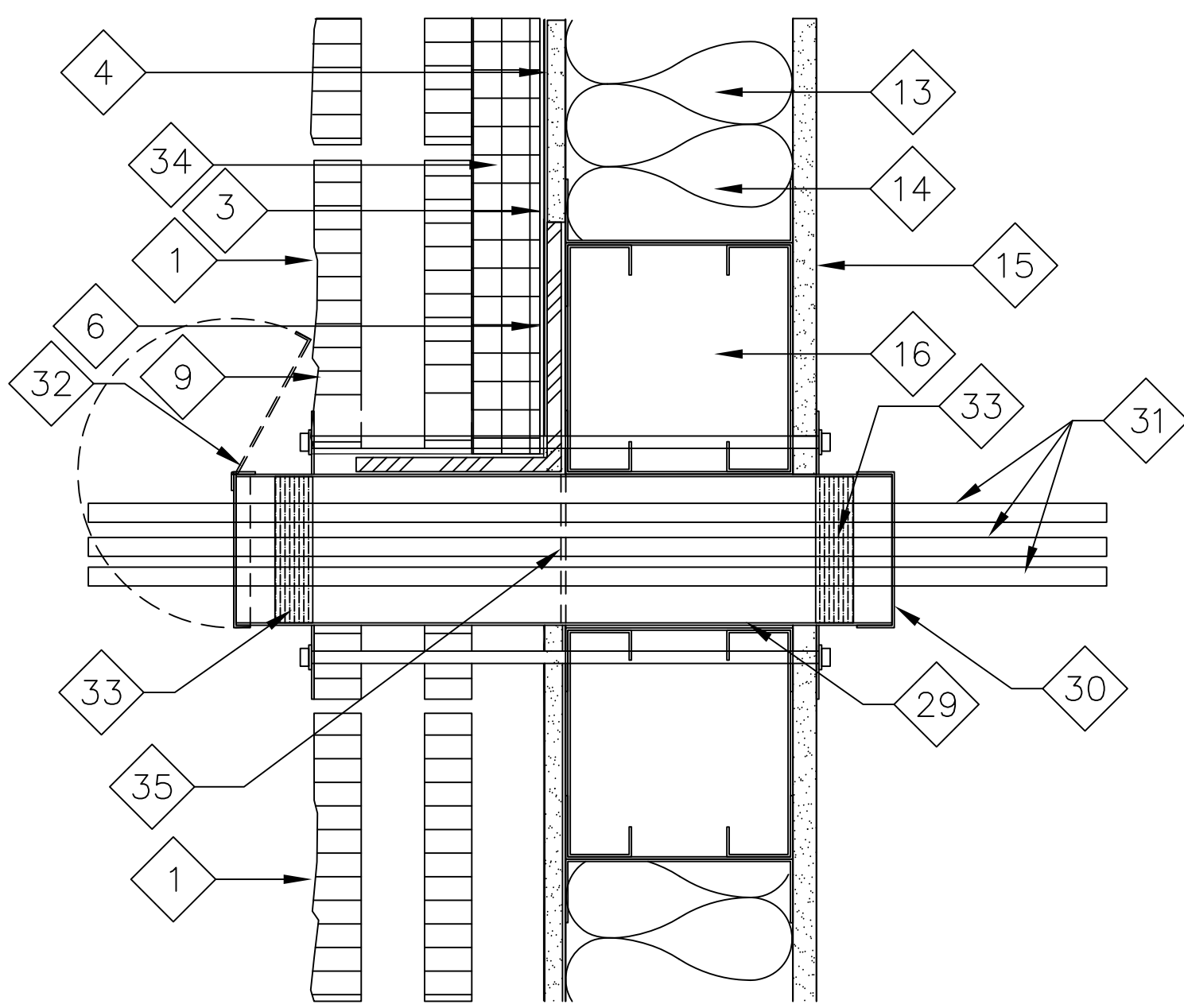
5 JAMB DETAIL
A7/A8 SCALE: 3"=1'-0"



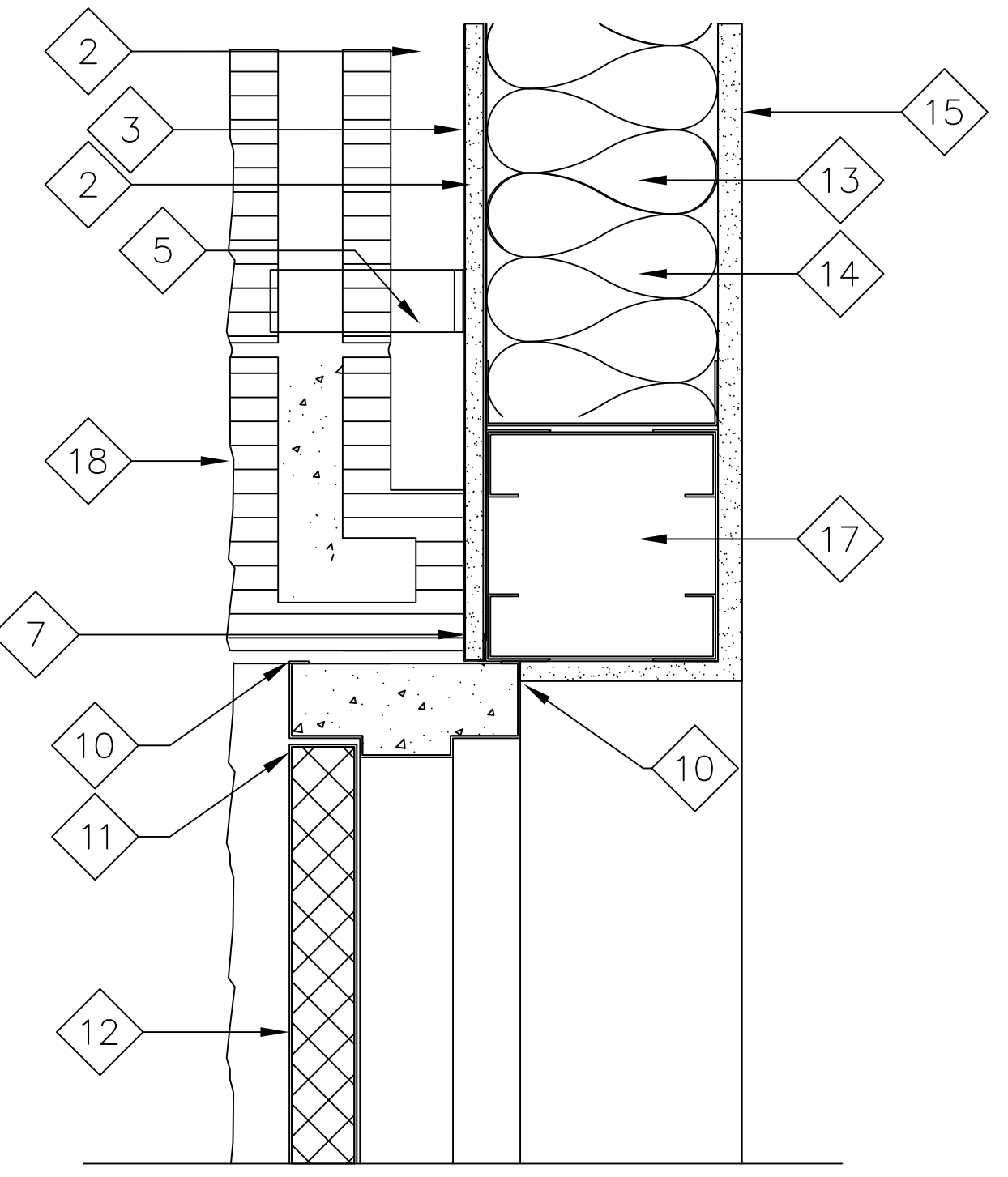
3 SILL DETAIL
A7/A8 SCALE: 3"=1'-0"



4 HEAD DETAIL
A7/A8 SCALE: 3"=1'-0"

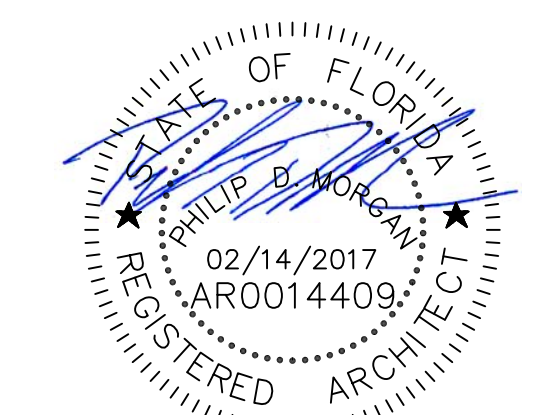


6 CABLE PORT DETAIL
A1/A8 SCALE: 3"=1'-0"



2 JAMB DETAIL
A7/A8 SCALE: 3"=1'-0"

DO NOT SCALE DRAWINGS



APP'D				
DESCRIPTION				
DATE				
REV #				
APPROVED	CHIEF ENGINEER	APPROVED	CIVIL ENGINEER	
CONSTRUCT TRAINING FACILITY 2 CWSS BUILDING 91068				
DOOR DETAILS, MISC DETAILS				
AIR FORCE SPECIAL OPERATIONS COMMAND				
1 SPECIAL OPERATIONS CIVIL ENGINEER SQUADRON HURLBURT FIELD, FLORIDA				
DATE:	14 FEB 2017	DESIGNED BY:	JEF	
DRAWN BY:	JEF	BUILDING NO.:	91068	
PROJECT NO.:	FETV16-1066	SHEET REF.:	A8	
SHEET NO.:	20 OF 48			