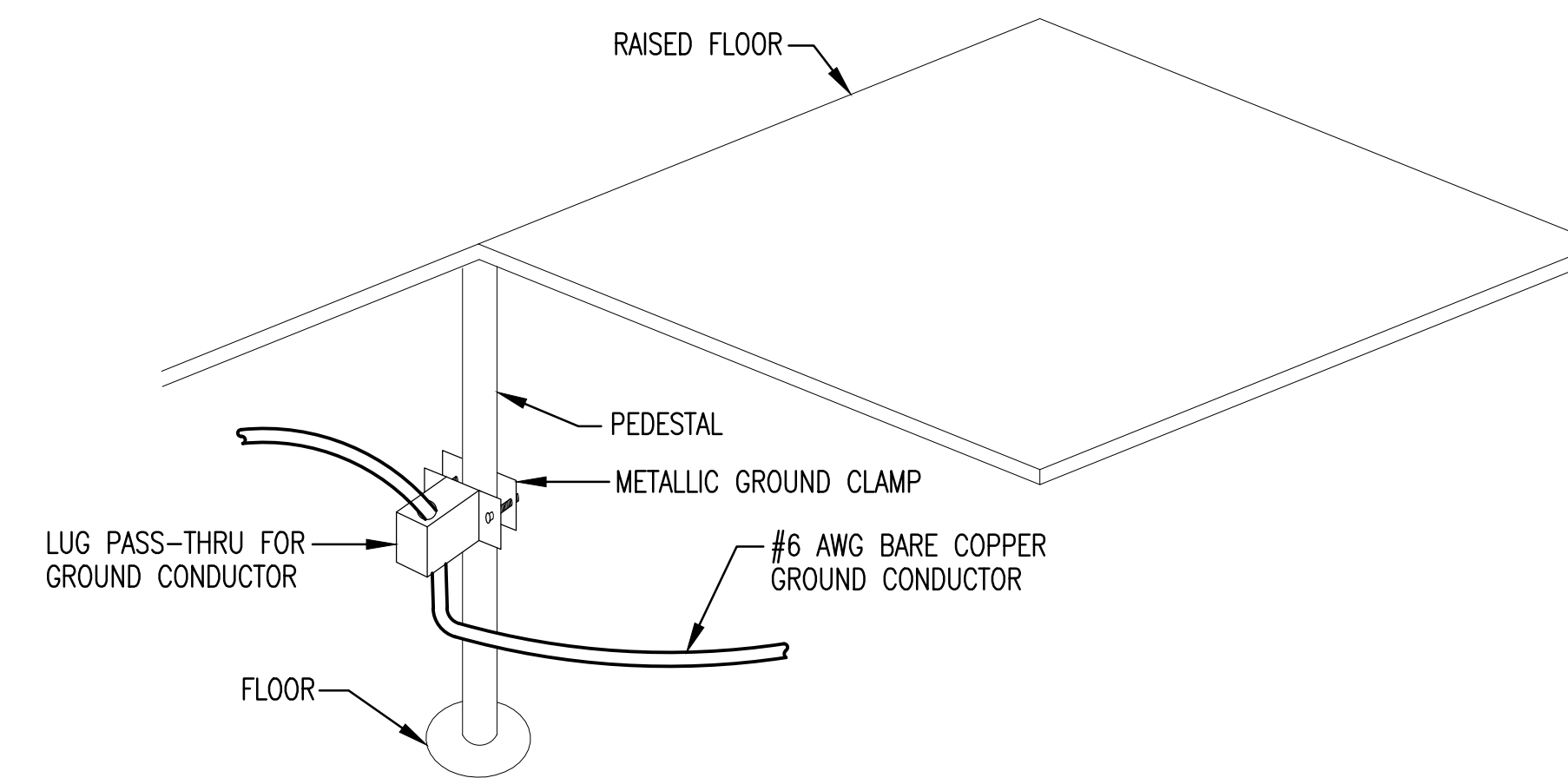


POWER PLAN

SCALE: 1/4" = 1'-0"

KEYNOTES:

- ① INSTALL RECEPTACLE IN CABINET.
- ② CONNECT WAVEGUIDE TO ELECTRICAL SERVICE GROUND.

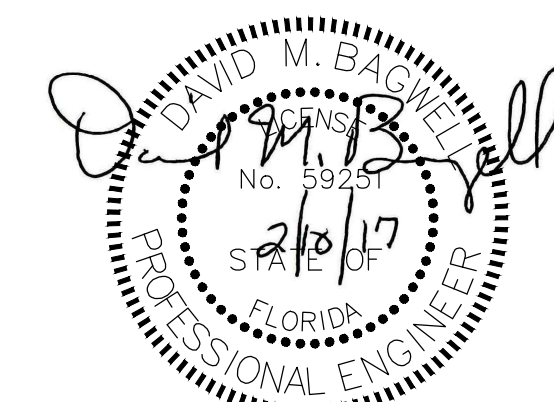


RAISED FLOOR GROUND DETAIL

NOT TO SCALE

RAISED FLOOR GROUNDING REQUIREMENTS

1. THE CONTRACTOR SHALL INSTALL A NEW GROUNDING SYSTEM TO THE EXISTING RAISED FLOOR. ALL WIRING SHALL ORIGINATE FROM THE EXISTING BUS BARS LOCATED BELOW THE RAISED FLOOR. THE RAISED FLOOR IS NOT TO BE USED TO CONDUCT OR CARRY A LOAD AND SHOULD NOT BE USED IN CONJUNCTION WITH EQUIPMENT FRAMEWORK GROUNDING CONDUCTORS.
2. WIRING FROM THE BUS BAR PLATE TO THE FURTHEST STANCHION SHALL NOT BE GREATER THAN 100 FT.
3. ALL GROUND WIRES RUN BELOW THE FLOOR SHALL BE RUN SEPARATE FROM TRANSMISSION CABLES AND WITH A MINIMUM OF 4" SEPARATION FROM OTHER SYSTEMS
4. GROUNDING CONDUCTORS USED FOR PEDESTAL GROUNDING SHALL BE ATTACHED TO THE RAISED FLOOR PEDESTALS WITH METALLIC CLAMPS APPROXIMATELY 6" BELOW THE RAISED FLOOR. A GROUND CLAMP SHALL BE INSTALLED EVERY 4' OR EVERY OTHER GROUND PEDESTAL.
5. PROVIDE 1-#6 AWG BARE CU GROUND CONDUCTOR FROM FLOOR PEDESTAL TO FLOOR PEDESTAL USING A SINGLE CONDUCTOR FOR EACH RUN. BEGIN AT PERIMETER STANCHION ON RAISED FLOOR WHICH SUPPORTS (4) FULL LENGTH STRINGERS. BOND EVERY OTHER PEDESTAL ALONG THE RUN USING METALLIC CLAMP MOUNTED 6" BELOW RAISED FLOOR. THE CONDUCTOR SHALL BE LAID ON THE STRUCTURAL FLOOR AND SHALL TIGHT TO CLAMP. THE CONDUCTOR SHALL NOT BE BENT OR KINKED.
6. PROVIDE A MINIMUM OF 18" OF SLACK GROUND CONDUCTOR WHEN CROSSING EXPANSION JOINTS.



FINAL-FOR CONSTRUCTION

APP'D	
DESCRIPTION	
DATE	
REV #	
APPROVED	
CHIEF ENGINEER	
APPROVED	
CIVIL ENGINEER	
CONSTRUCT TRAINING FACILITY 2 CWSS BUILDING 91068 POWER PLAN	
AIR FORCE SPECIAL OPERATIONS COMMAND 1 SPECIAL OPERATIONS CIVIL ENGINEER SQUADRON HURLBURT FIELD, FLORIDA	
DATE:	14 FEB 2017
DESIGNED BY:	DAM
DRAWN BY:	DBB
BUILDING NO.:	91068
PROJECT NO.:	FETV16-1066
SHEET REF.:	E-5
SHEET NO.:	35 OF 48