

Date: June 21, 2018
To: SMSgt. Hall
Subject: ADDENDUM NO. 1
Project: REPAIR BASE PAVEMENTS – PHASE II
Job #: SSL# 13076.01
ANG# BRKR112005
From: David Donovan

The plans and Specifications of the subject project, dated August 2017 are amended as follows: (Where there are conflicts between the plans and specifications and the addendum, this addendum shall govern)

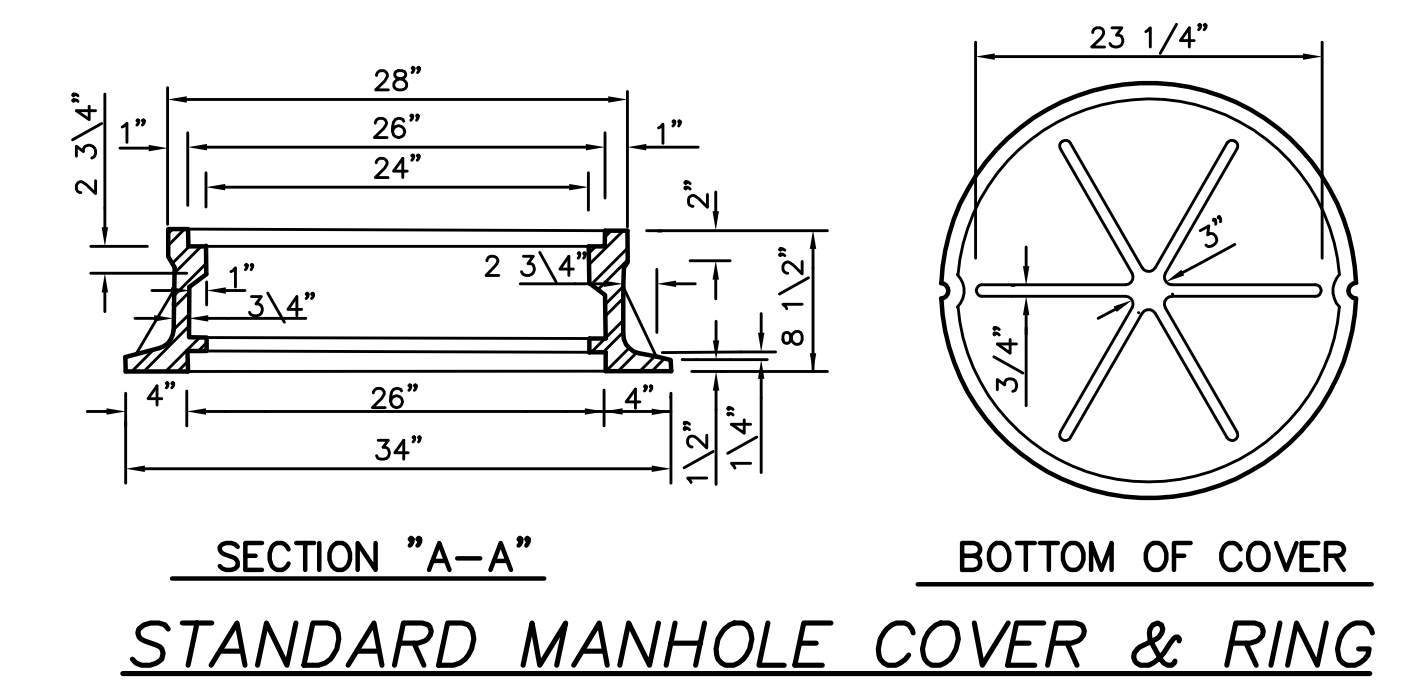
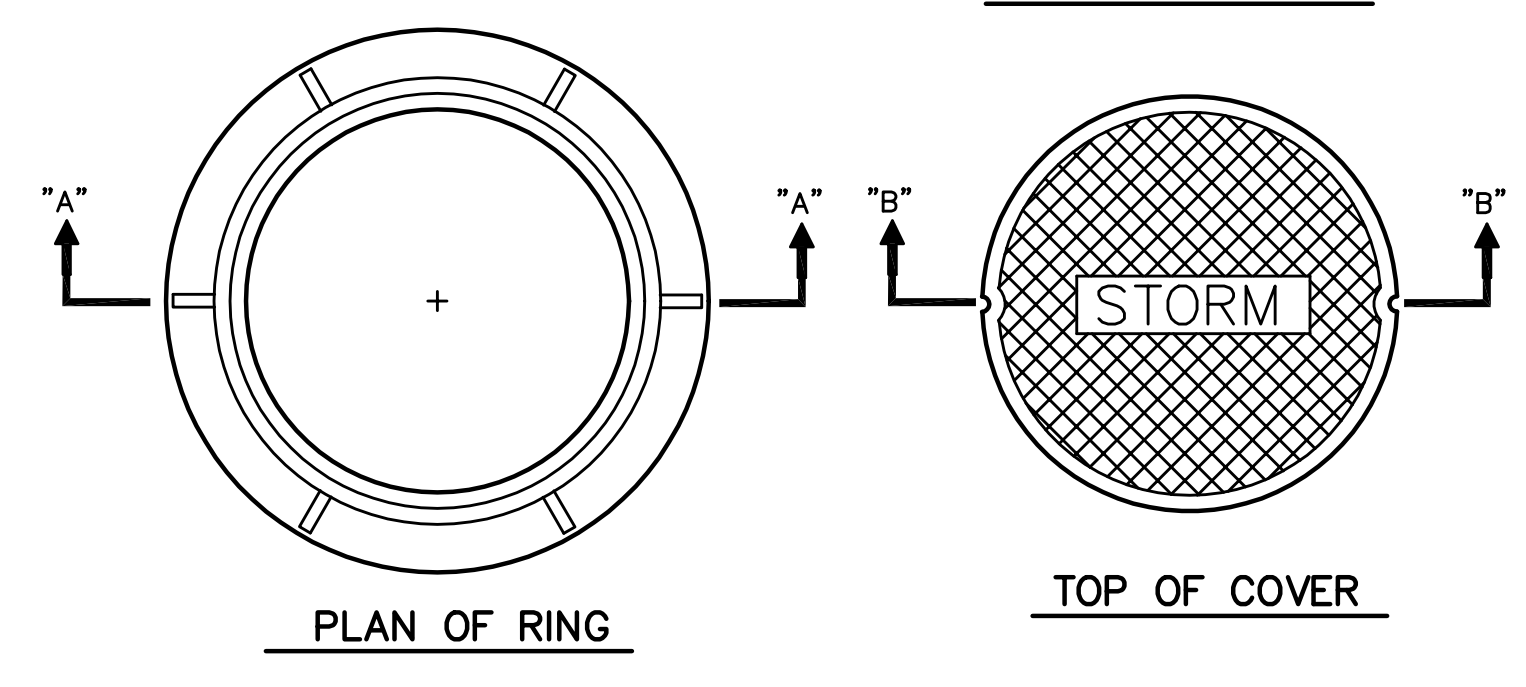
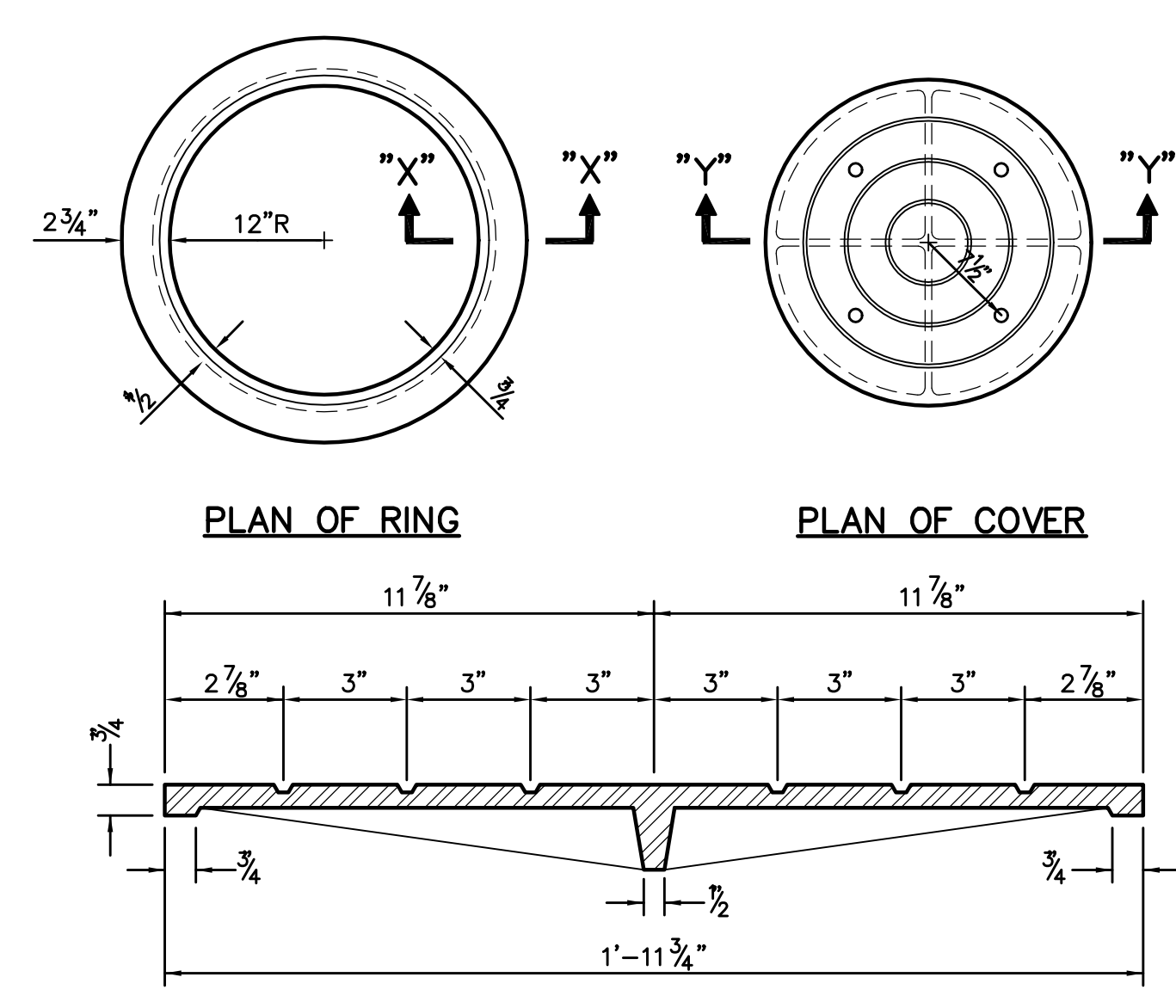
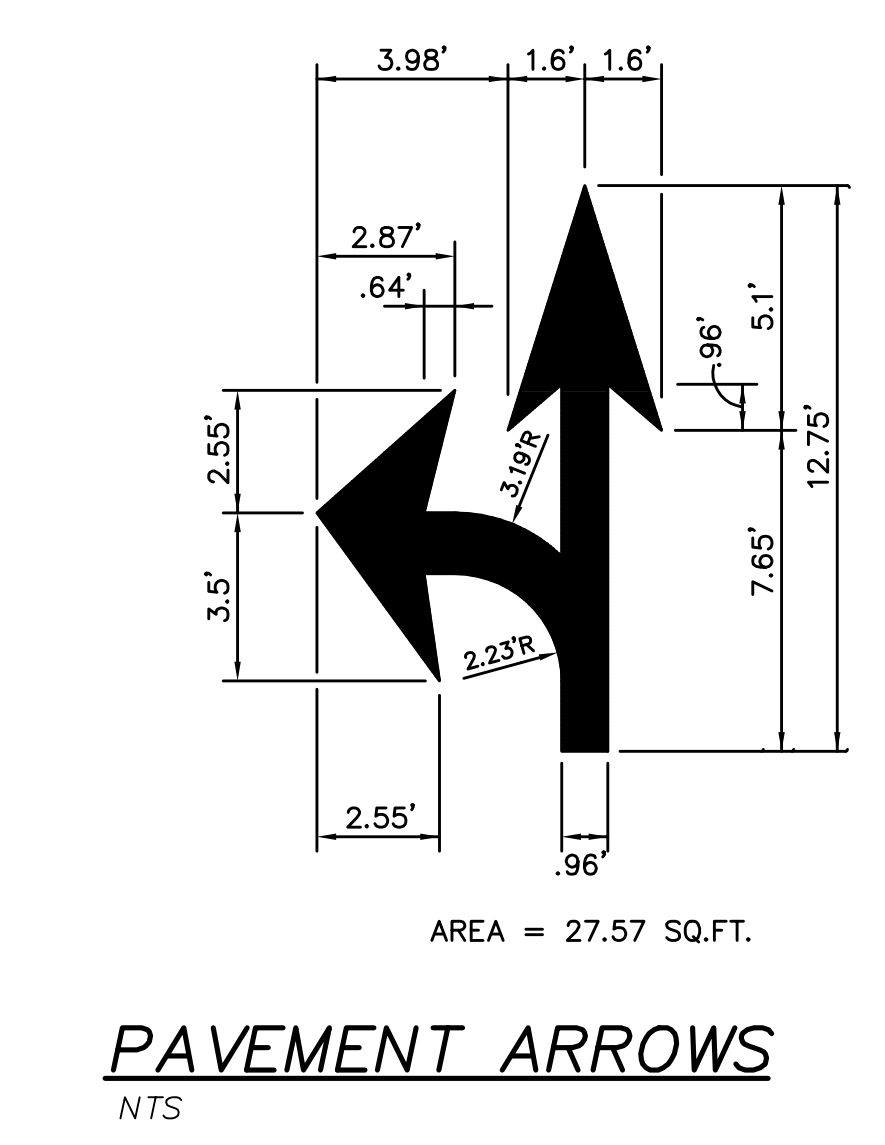
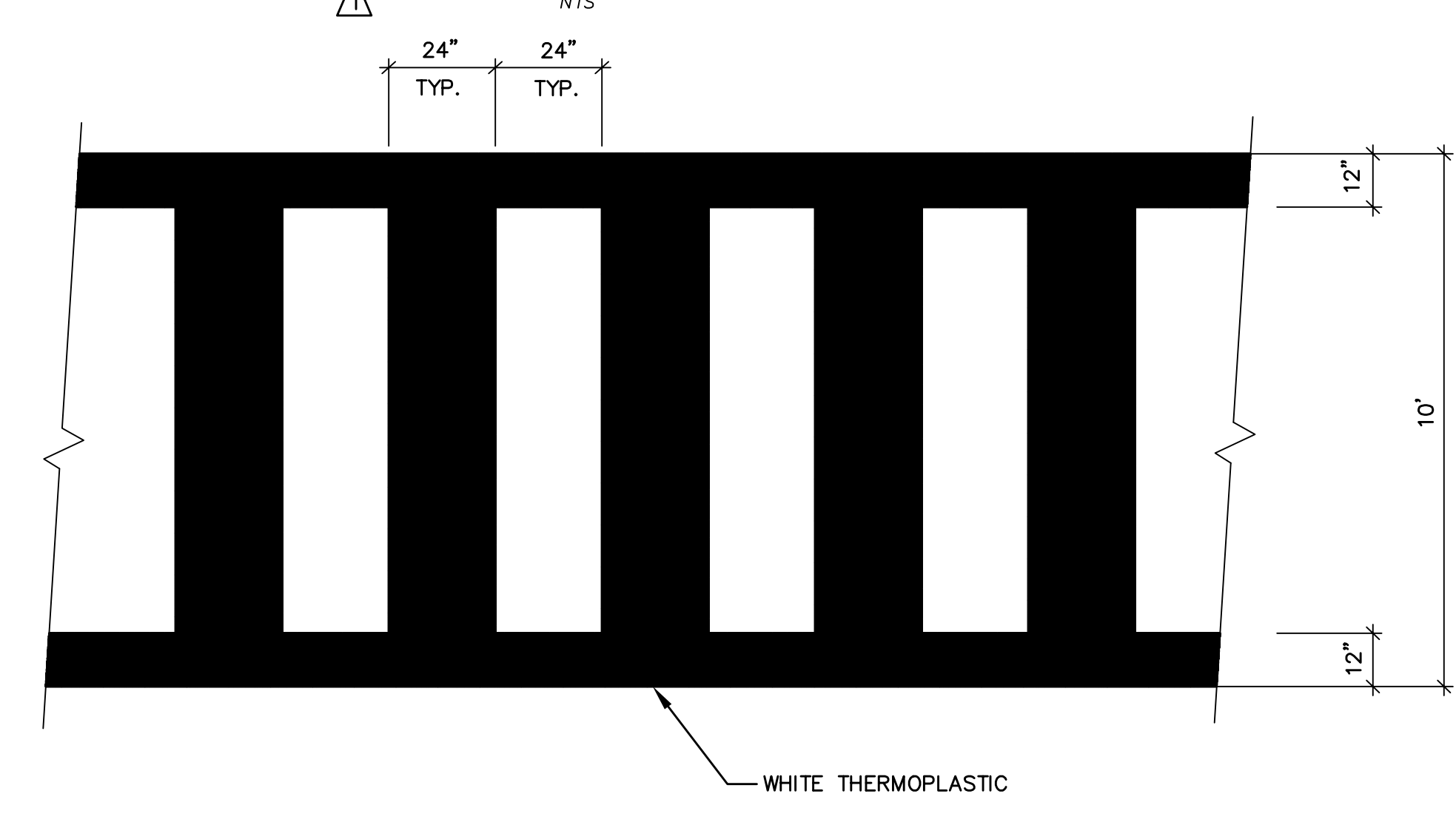
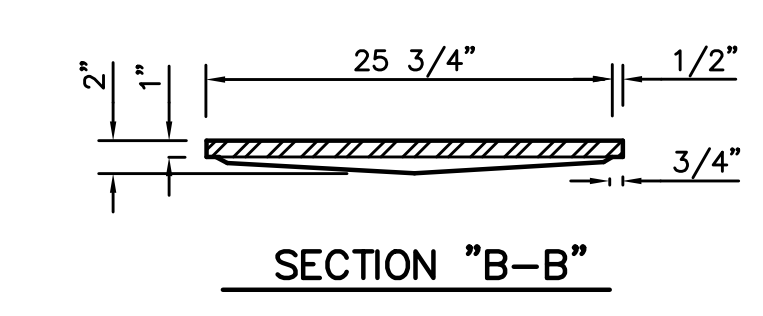
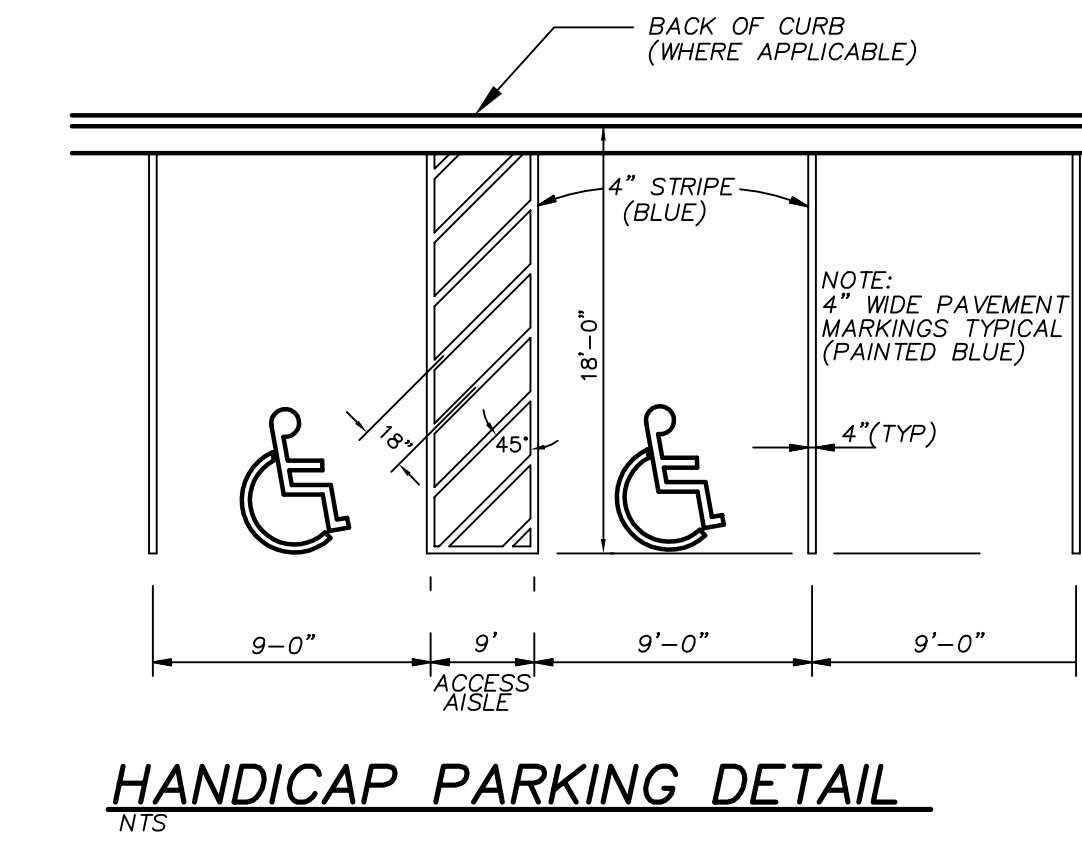
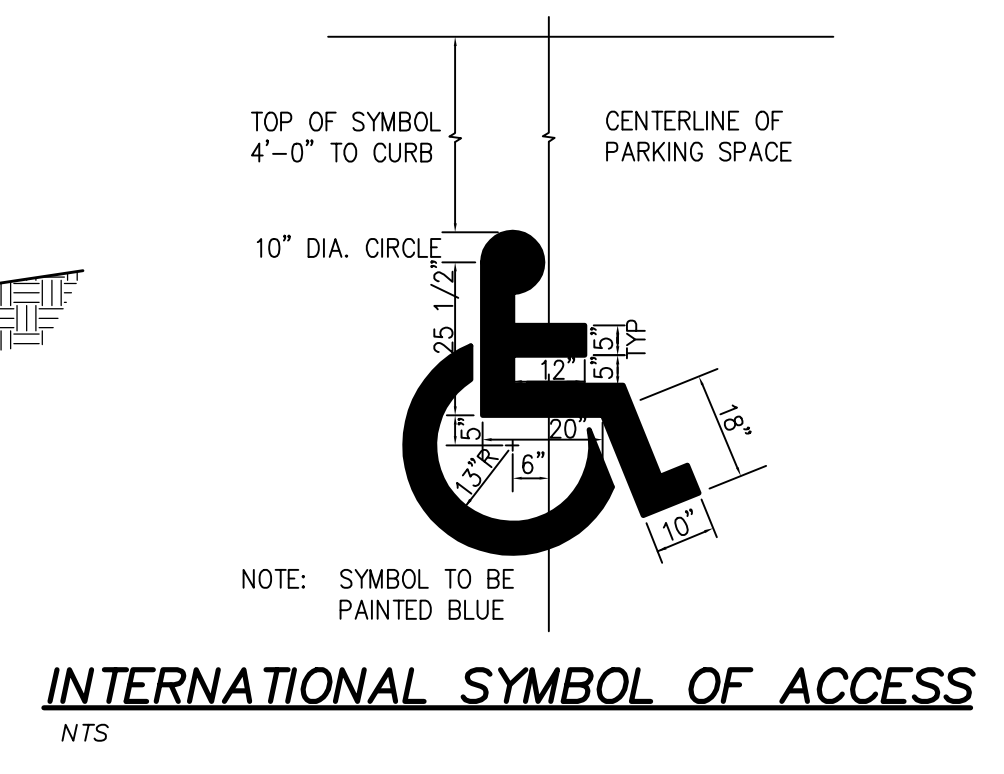
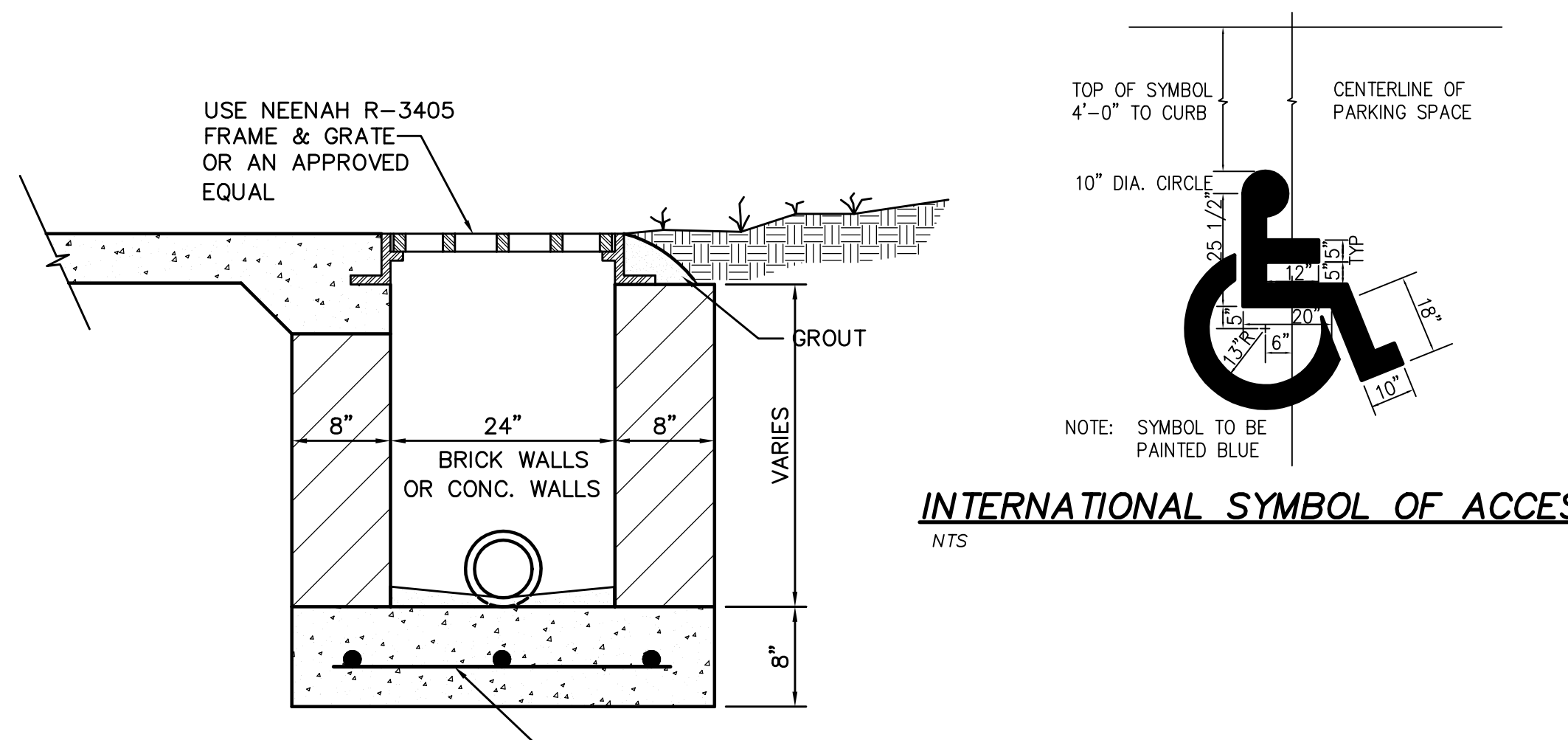
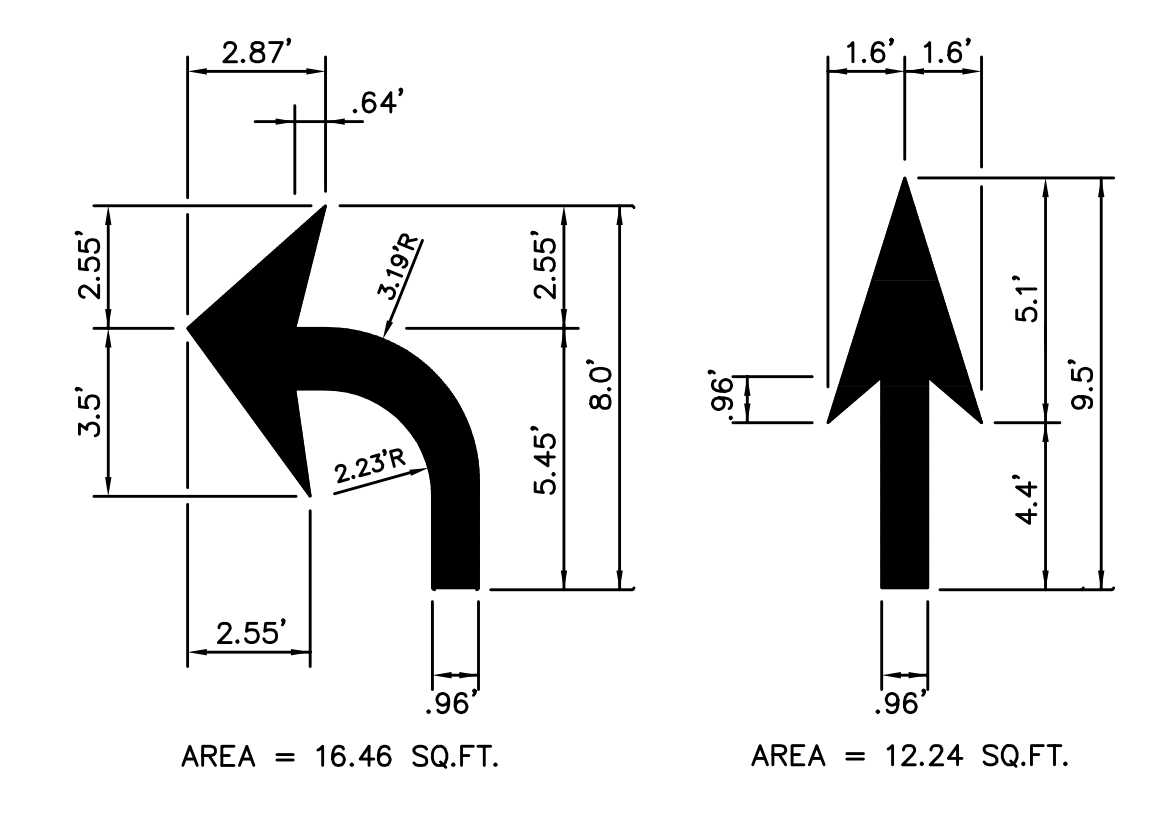
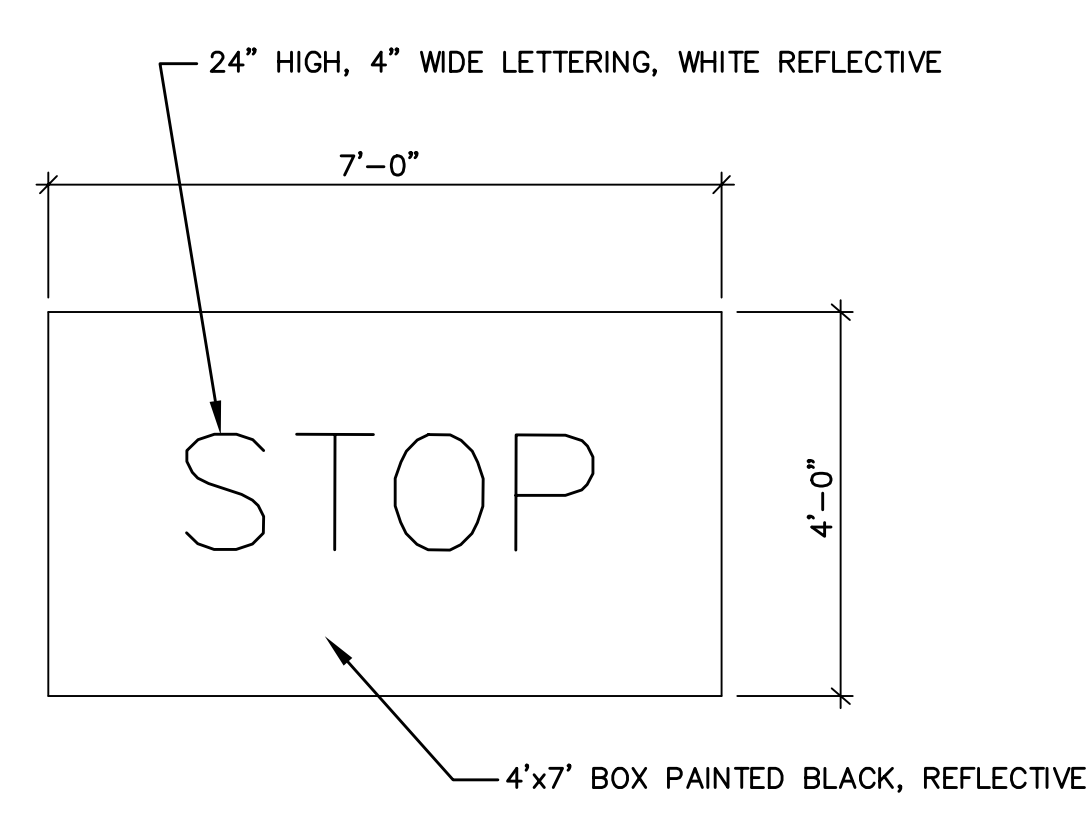
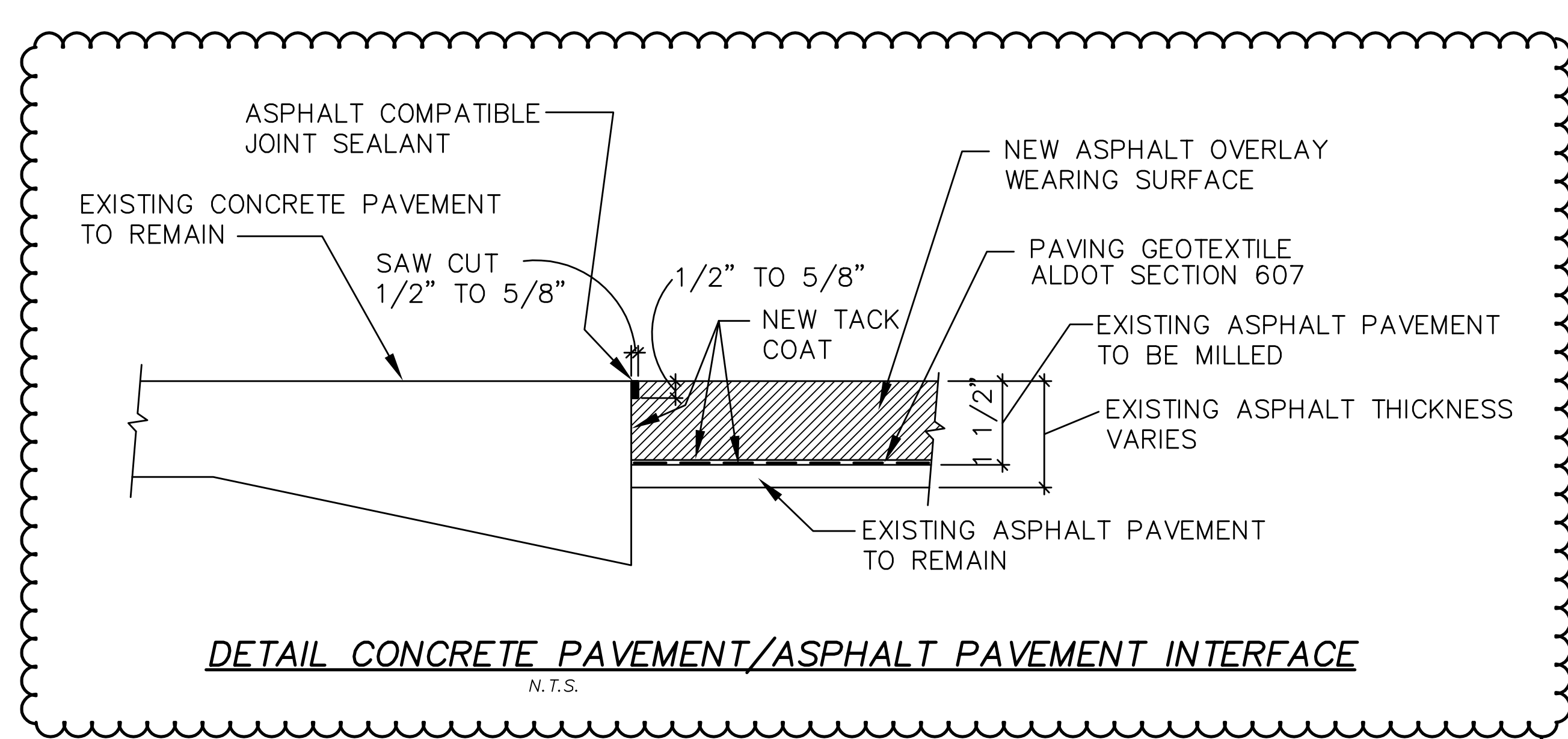
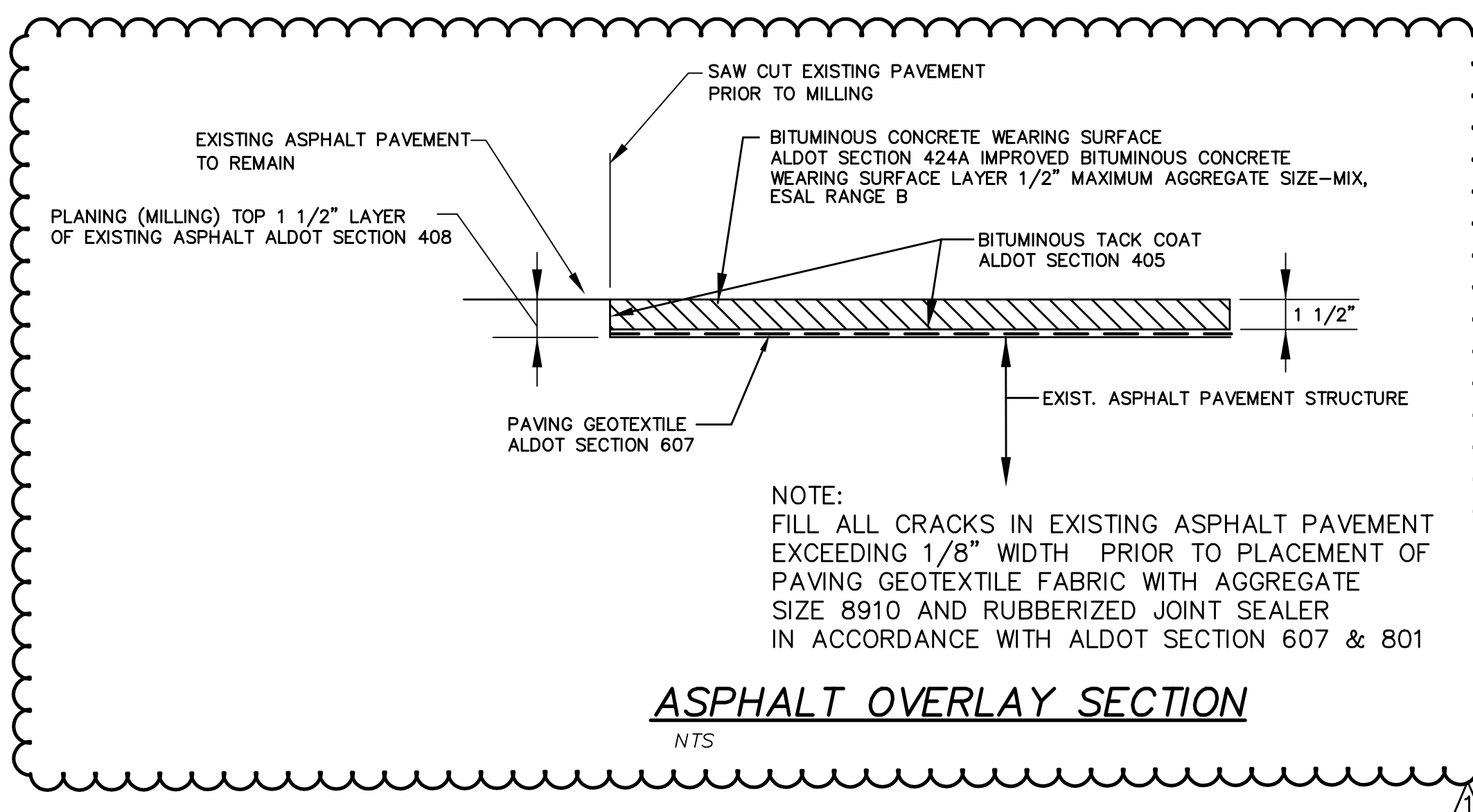
Item No. 1: Refer to drawing sheet C12.0 “Details.” Delete drawings sheet C12.0 and replace it with the attached drawing sheet C12.0, revision 1, dated 6-21-18.

Clarification:

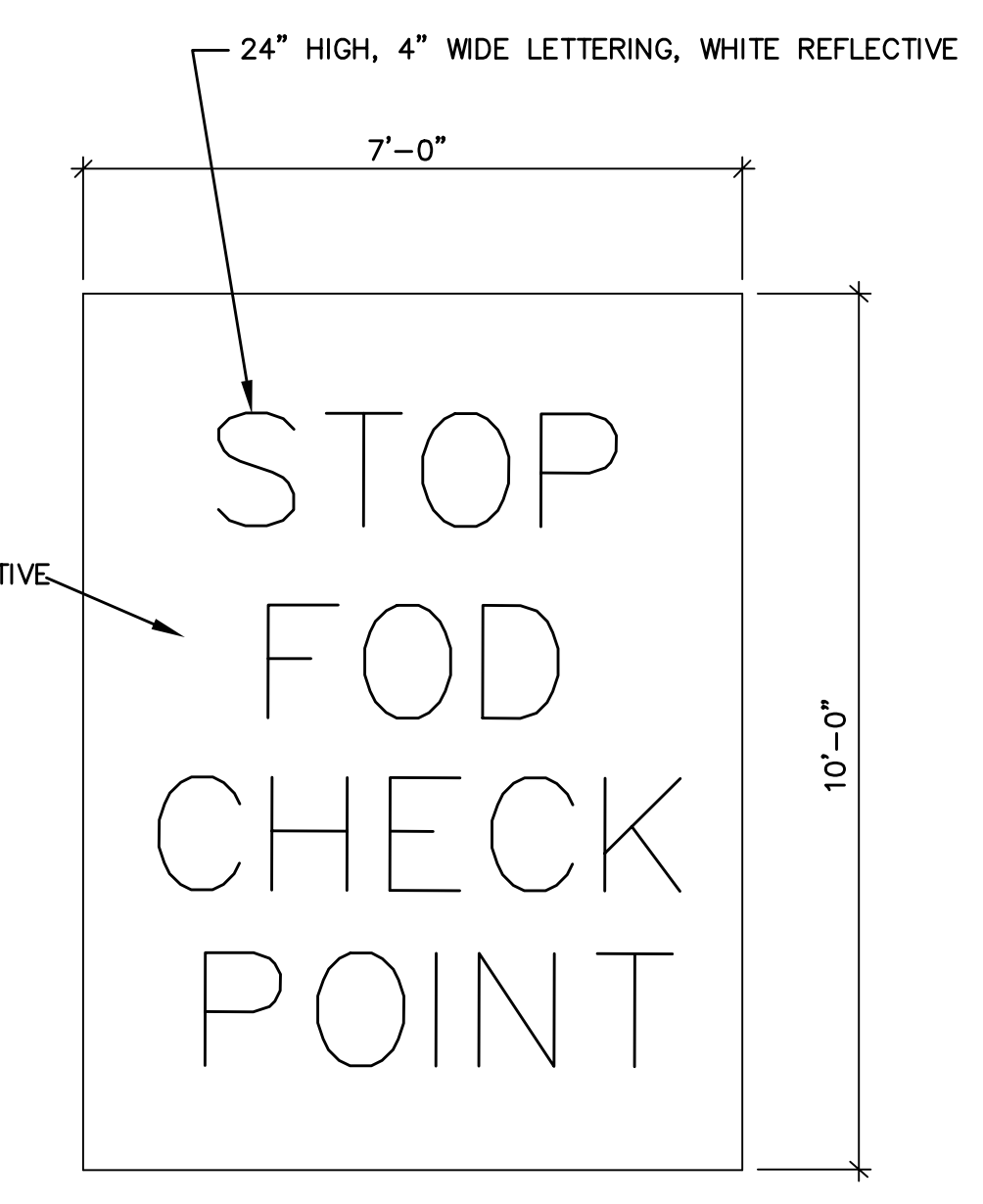
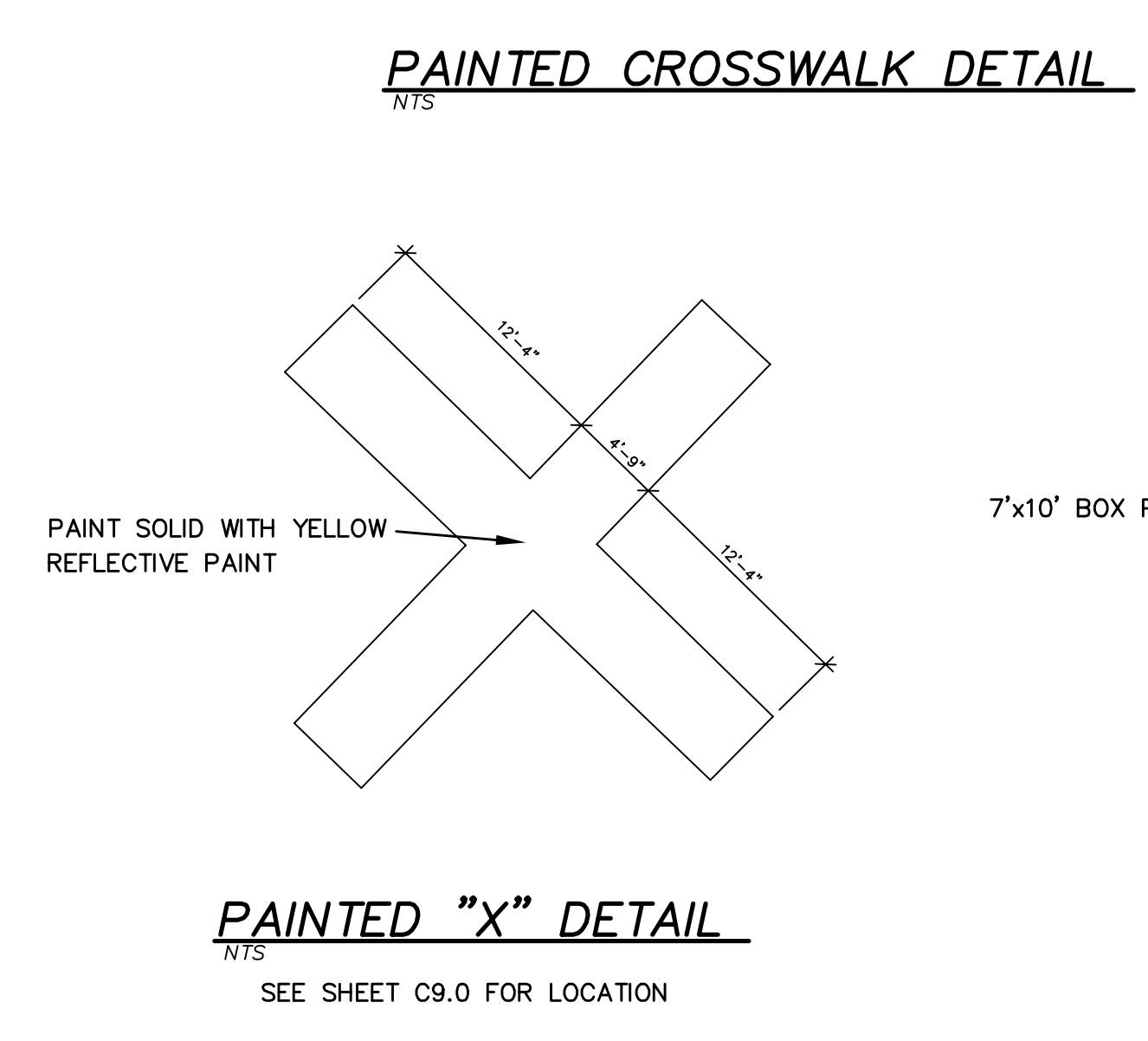
- All areas scheduled to be milled/overlaid shall receive new geotextile fabric as indicated in the revised Asphalt Overlay Section included on the revised drawing sheet C12.0
- All areas where concrete and asphalt paving abut shall receive pavement joint sealants. After new asphalt surfaces have cured, the Contractor shall cut asphalt surfaces and install joint sealer as indicated in the revised “Detail Concrete Pavement/Asphalt Pavement Interface” included on the revised drawing sheet C12.0

Item No. 2: Refer to specifications. Delete specification section 32 1720 “Pavement Joint Sealants” and replace it with the attached specification section 32 1720 with a revised date of June 21, 2018.

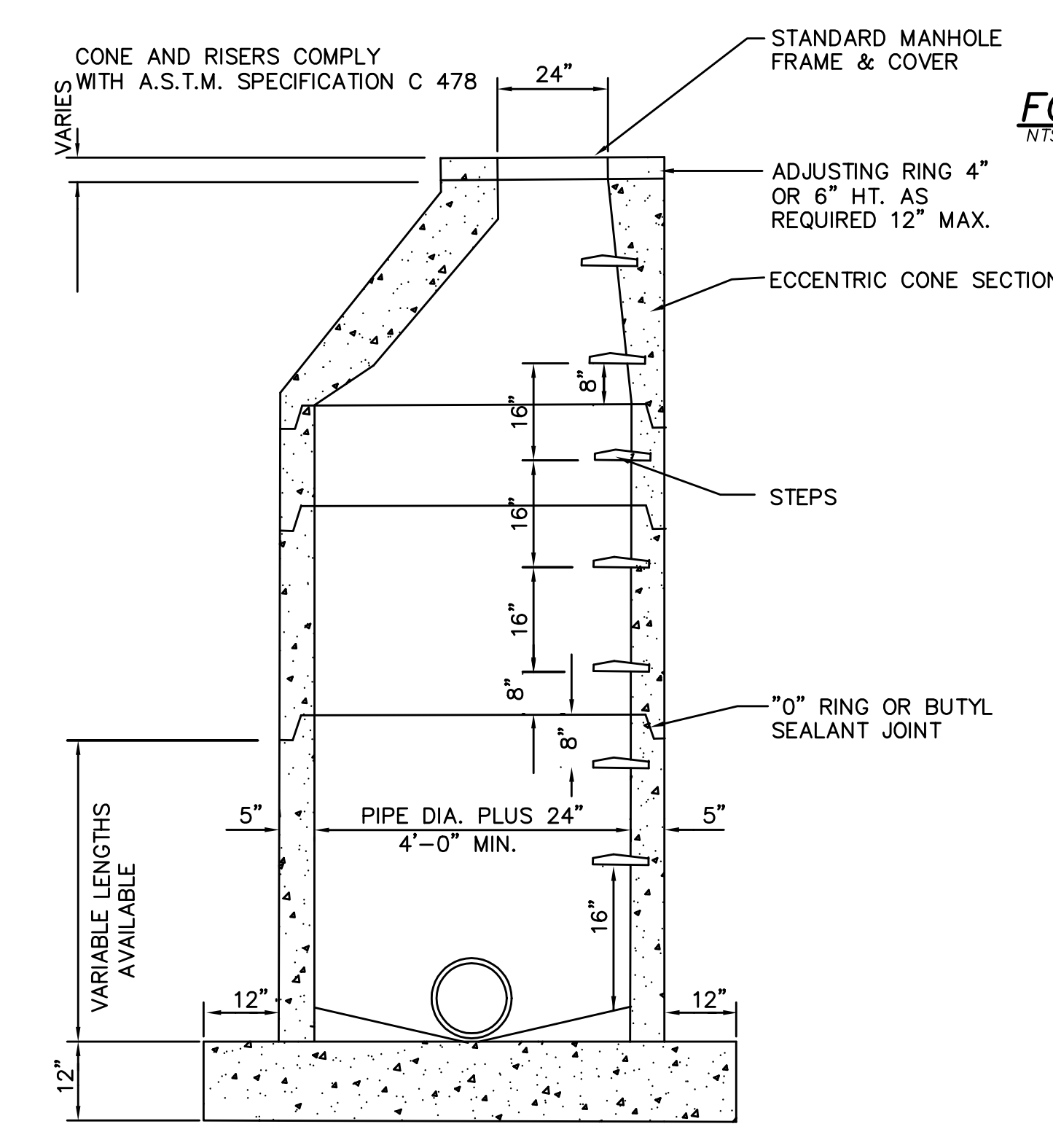
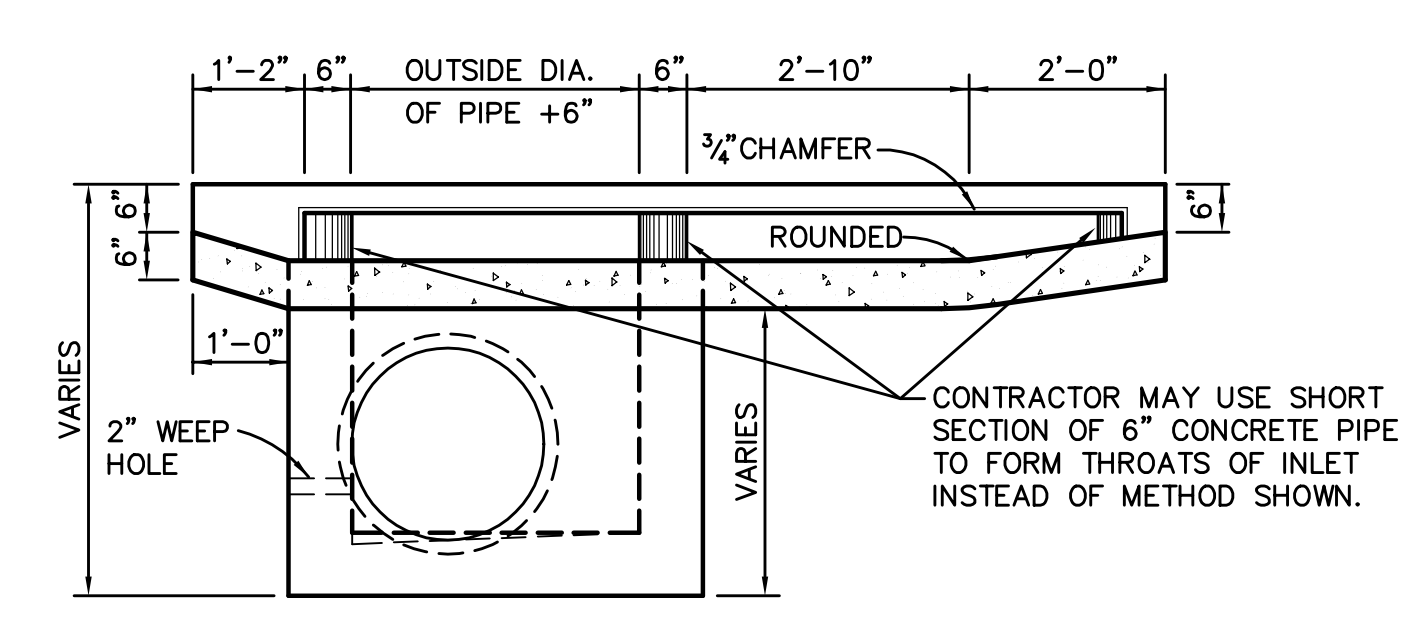
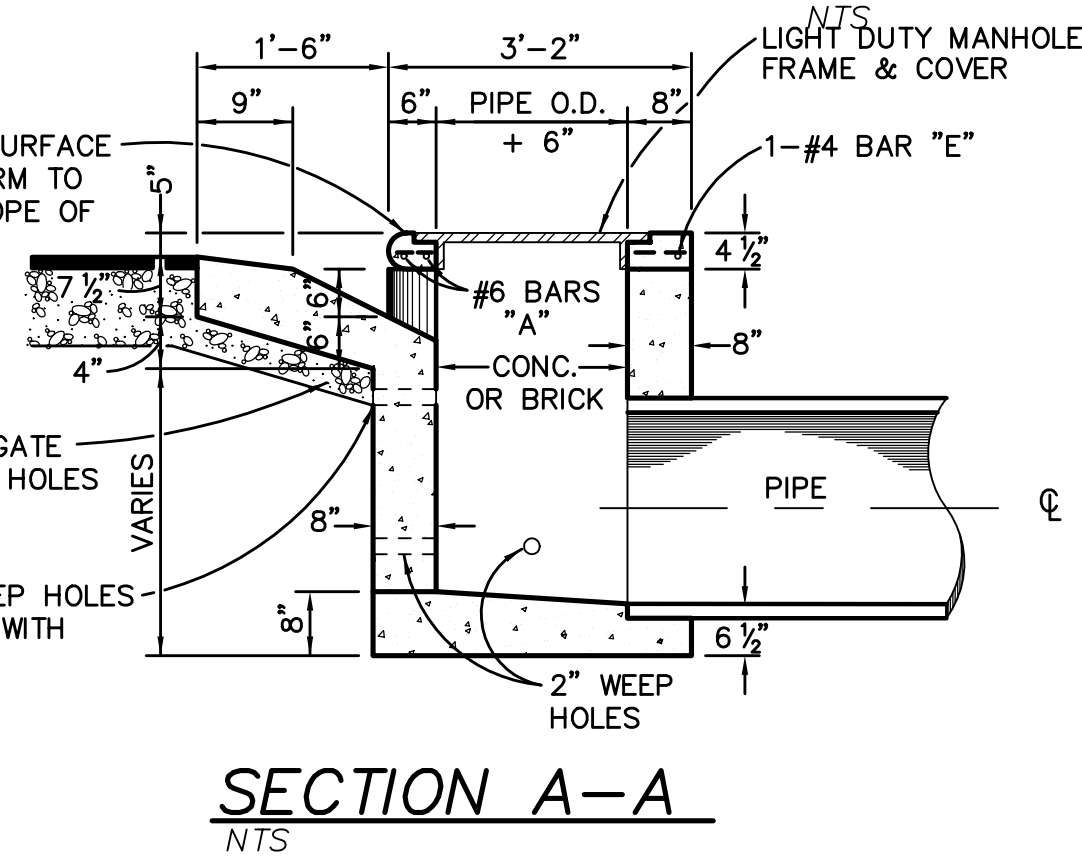
End of Addendum #1



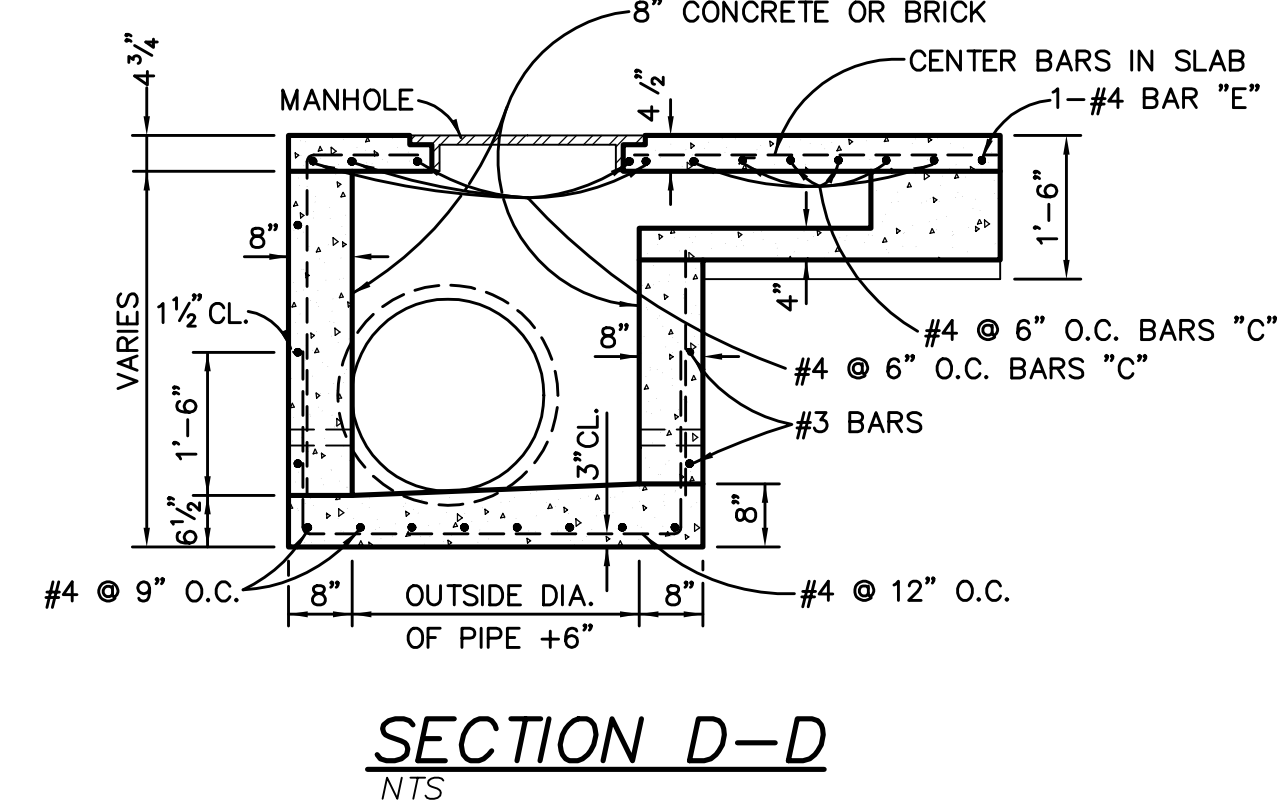
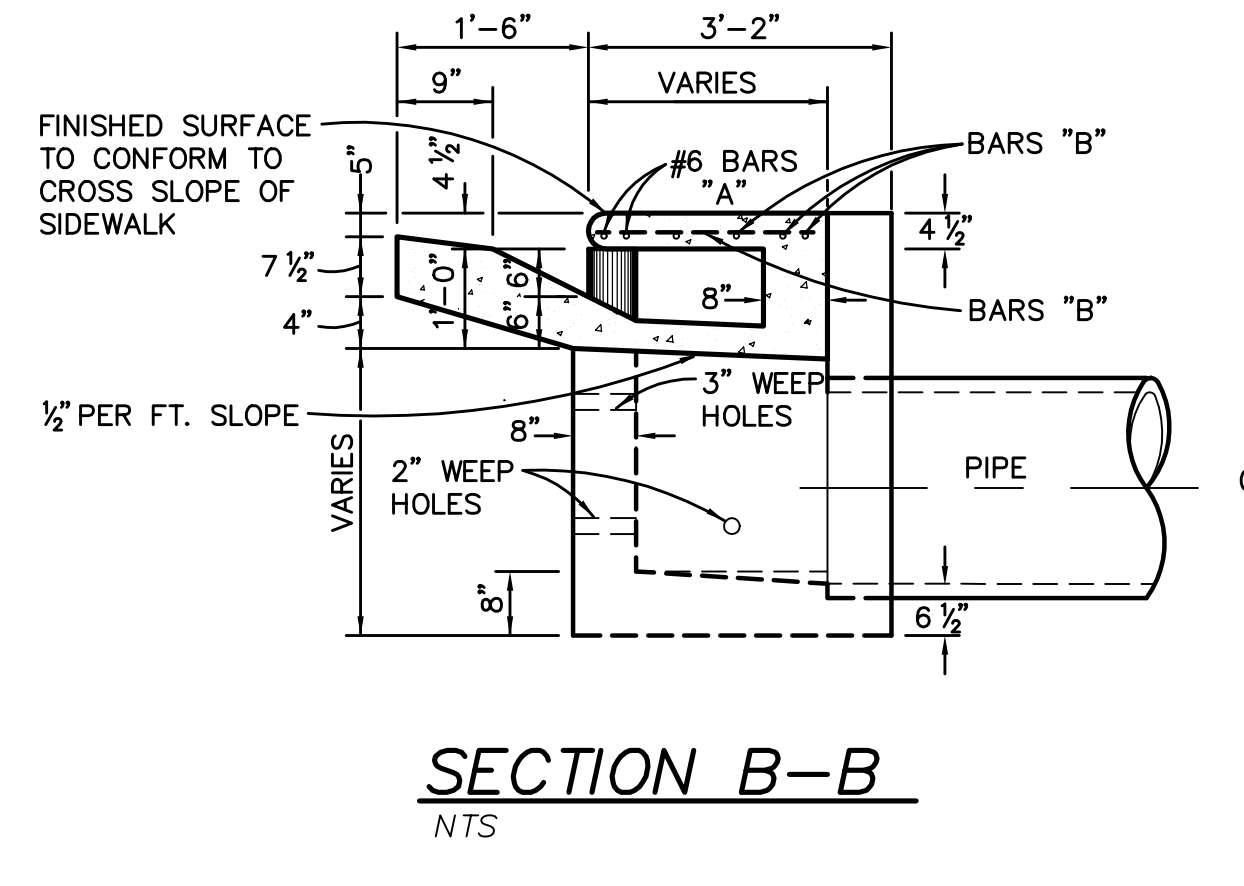
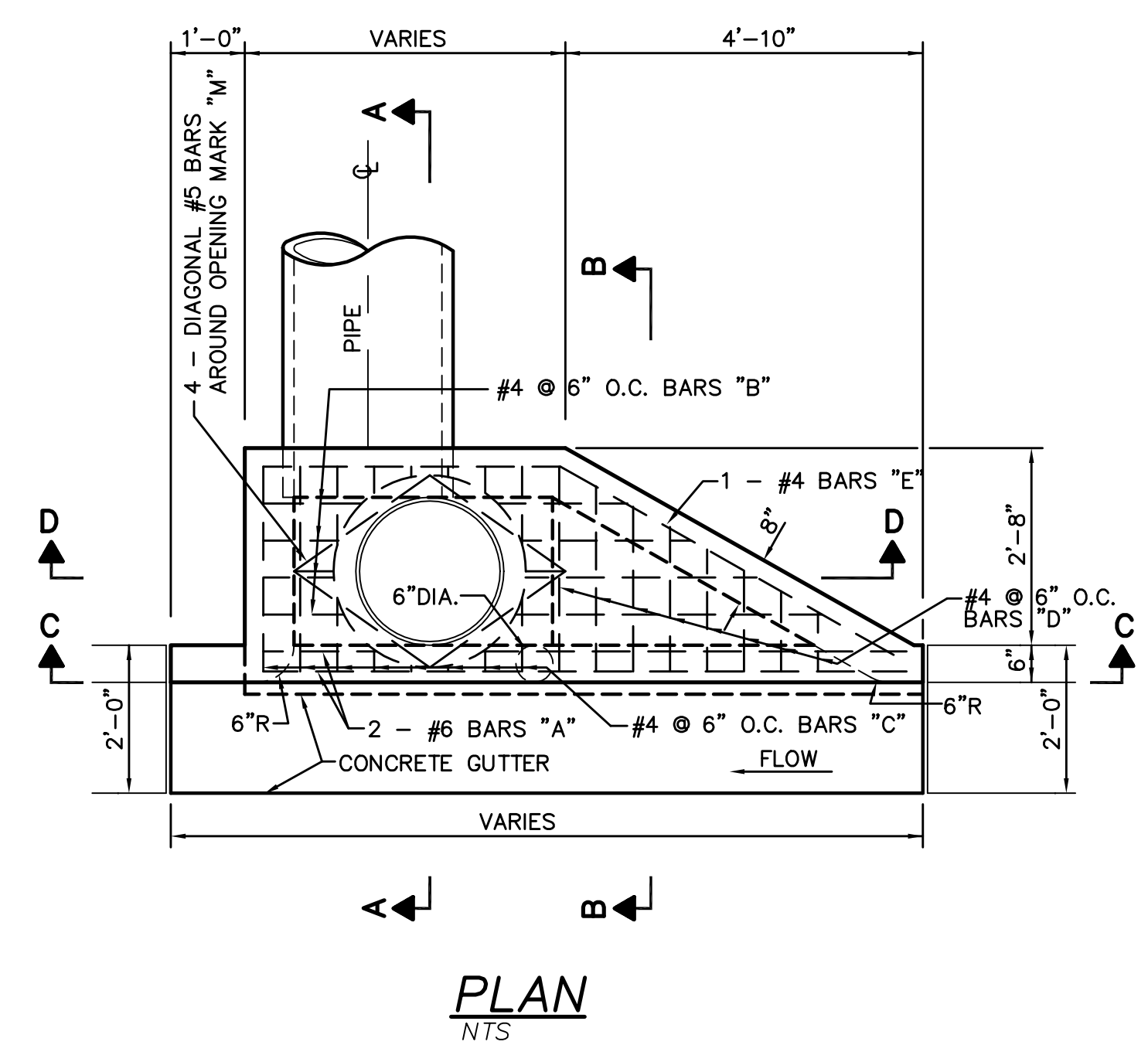
STANDARD MANHOLE COVER & RING



LIGHT DUTY MANHOLE FRAME & COVER
NTS



FOD CHECK POINT PAINTED BOX DETAIL
NTS



TYPE 'S' CURB INLET DETAILS

SECTION D-D
NTS

PRECAST CONCRETE MANHOLE
NTS

PEC
PROFESSIONAL ENGINEERING CONSULTANTS, LLC.
822 South McDonough Street
Montgomery, Alabama 36104
Phone: (334) 262-7307
Fax: (334) 262-7309

SS&I
ARCHITECTURE & INTERIOR DESIGN
1115 South Court Street | Montgomery, AL 36104
TEL: 334.263.5102 | WWW.SS&I.COM

No.	Revision	Date
1	ADD. 1	6-21-18

Job Number
13076.01/BRKR | 2005
Date
August 2017
Drawn By
SBG
Checked By

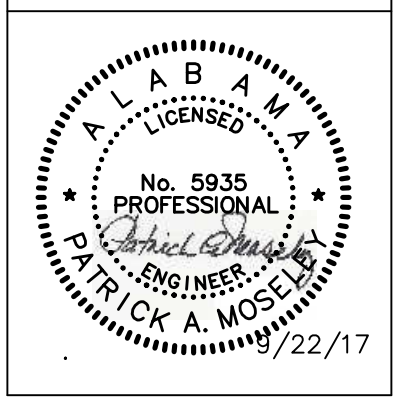
Project Title

Phase II - Repair Base Pavements
117th Air Refueling Wing
Birmingham, AL

Sheet Title
Details

Sheet Number

C12.0



SECTION 32 1720 - PAVEMENT JOINT SEALANTS

PART 1 GENERAL

1.01 RELATED DOCUMENTS

- A. Drawings and general provisions of the Contract, including General and Supplementary Conditions and Division 1 Specification Sections, apply to this Section.

1.02 SUMMARY

- A. This Section includes the following:
 - 1. Expansion and contraction joints within portland cement concrete pavement.
 - 2. Joints between portland cement concrete and asphalt pavement.
- B. Related Sections include the following:
 - 1. Division 32 Section "Cement Concrete Pavement" for constructing joints in concrete paving.
 - 2. Division 32 Section "Asphalt Concrete Pavement" for construction joints in asphalt paving.

1.03 SUBMITTALS

- A. Product Certificates: Signed by manufacturers of joint sealants certifying that products furnished comply with requirements and are suitable for the use indicated.

1.04 QUALITY ASSURANCE

- A. Installer Qualifications: An experienced installer who has specialized in installing joint sealants similar in material, design, and extent to those indicated for this Project and whose work has resulted in joint-sealant installations with a record of successful in-service performance.
- B. Source Limitations: Obtain each type of joint sealant through one source from a single manufacturer.

1.05 DELIVERY, STORAGE, AND HANDLING

- A. Deliver materials to Project site in original unopened containers or bundles with labels indicating manufacturer, product name and designation, color, expiration date, pot life, curing time, and mixing instructions for multi-component materials.

- B. Store and handle materials to comply with manufacturer's written instructions to prevent their deterioration or damage due to moisture, high or low temperatures, contaminants, or other causes.

1.06 PROJECT CONDITIONS

- A. Environmental Limitations: Do not proceed with installation of joint sealants under the following conditions:
 - 1. When ambient and substrate temperature conditions are outside limits permitted by joint sealant manufacturer.
 - 2. When ambient and substrate temperature conditions are outside limits permitted by joint sealant manufacturer or are below 40 deg F (4.4 deg C).
 - 3. When joint substrates are wet.
- B. Joint-Width Conditions: Do not proceed with installation of joint sealants where joint widths are less than that allowed by joint sealant manufacturer for application indicated.
- C. Joint-Substrate Conditions: Do not proceed with installation of joint sealants until contaminants capable of interfering with their adhesion are removed from joint substrates.

PART 2 PRODUCTS

2.01 MATERIALS, GENERAL

- A. Compatibility: Provide joint sealants, backing materials, and other related materials that are compatible with one another and with joint substrates under conditions of service and application, as demonstrated by joint sealant manufacturer based on testing and field experience.
- B. Colors of Exposed Joint Sealants: As selected by Architect from manufacturer's full range for this characteristic.

2.02 SINGLE COMPONENT, COLD APPLIED, LOW MODULUS, SELF LEVELING SILICONE JOINT SEALANTS

- A. Basis of Design:
 - 1. Roadsaver Silicone SL as manufactured by CrafcO, Inc.
 - 2. Substitutions of equal products submitted in accordance with requirements of the solicitation will be evaluated.

2.03 JOINT-SEALANT BACKER MATERIALS

- A. General: Provide joint-sealant backer materials that are nonstaining; are compatible with joint substrates, sealants, primers, and other joint fillers; and are approved for applications indicated by joint sealant manufacturer based on field experience and laboratory testing.
- B. Round Backer Rod for Cold- and Hot-Applied Sealants: ASTM D 5249, Type 1, of diameter and density required to control sealant depths and prevent bottom-side adhesion of sealant.

2.04 PRIMERS

- A. Primers: Product recommended by joint sealant manufacturer where required for adhesion of sealant to joint substrates indicated, as determined from preconstruction joint- sealant-substrate tests and field tests.

PART 3 EXECUTION

3.01 EXAMINATION

- A. Examine joints indicated to receive joint sealants, with Installer present, for compliance with requirements for joint configuration, installation tolerances, and other conditions affecting joint-sealant performance.
- B. Proceed with installation only after unsatisfactory conditions have been corrected.

3.02 PREPARATION

- A. Saw cut joints as indicated on the drawings and to width/depth required by sealant manufacturer for applications included in the scope of the project. Allow new asphalt surfaces to fully cure prior to saw cutting joint, preparing joint, and/or installing new joint sealants.
- B. Surface Cleaning of Joints: Clean out joints immediately before installing joint sealants to comply with joint sealant manufacturer's written instructions.
- C. Joint Priming: Prime joint substrates where indicated or where recommended in writing by joint sealant manufacturer, based on preconstruction joint-sealant-substrate tests or prior experience. Apply primer to comply with joint sealant manufacturer's written instructions. Confine primers to areas of joint-sealant bond; do not allow spillage or migration onto adjoining surfaces.

3.03 INSTALLATION OF JOINT SEALANTS

- A. General: Comply with joint sealant manufacturer's written installation instructions applicable to products and applications indicated, unless more stringent requirements apply.
- B. Sealant Installation Standard: Comply with recommendations of ASTM C 1193 for use of joint sealants as applicable to materials, applications, and conditions indicated.
- C. Install backer materials of type indicated to support sealants during application and at position required to produce cross-sectional shapes and depths of installed sealants relative to joint widths that allow optimum sealant movement capability.
 - 1. Do not leave gaps between ends of backer materials.
 - 2. Do not stretch, twist, puncture, or tear backer materials.
 - 3. Remove absorbent backer materials that have become wet before sealant application and replace them with dry materials.
- D. Install sealants by proven techniques to comply with the following and at the same time backings are installed:
 - 1. Place sealants so they directly contact and fully wet joint substrates.
 - 2. Completely fill recesses provided for each joint configuration.
 - 3. Produce uniform, cross-sectional shapes and depths relative to joint widths that allow optimum sealant movement capability.
- E. Provide joint configuration to comply with joint sealant manufacturer's written instructions, unless otherwise indicated.

3.04 CLEANING

- A. Clean off excess sealants or sealant smears adjacent to joints as the Work progresses by methods and with cleaning materials approved by manufacturers of joint sealants and of products in which joints occur.

3.05 PROTECTION

- A. Protect joint sealants during and after curing period from contact with contaminating substances and from damage resulting from construction operations or other causes so sealants are without deterioration or damage at time of Substantial Completion. If, despite such protection, damage or deterioration occurs, cut out and remove damaged or deteriorated joint sealants immediately so installations with repaired areas are indistinguishable from the original work.

3.06 FIELD QUALITY CONTROL

- A. Test Section: Install a test section of 25 linear feet at the start of the sealing operation. A representative of the joint sealant manufacturer shall be on site full time during the installation of the test section. Repair any deficiencies in test section noted by the manufacturer's representative. Notify Contracting Officer upon completion of the test section. Test section can remain as part of the completed work subject to manufacturer's representative and Contracting Officer's Acceptance of the test section.
- B. Upon completion of all joint seals, manufacturer's representative shall visit the site and inspect all installed joint seals for conformance with the Contract requirements, joint seal manufacturer's instructions, and test sections. Obtain manufacturer's approval of all joint sealants installed and include in project closeout documentation.

END OF SECTION

