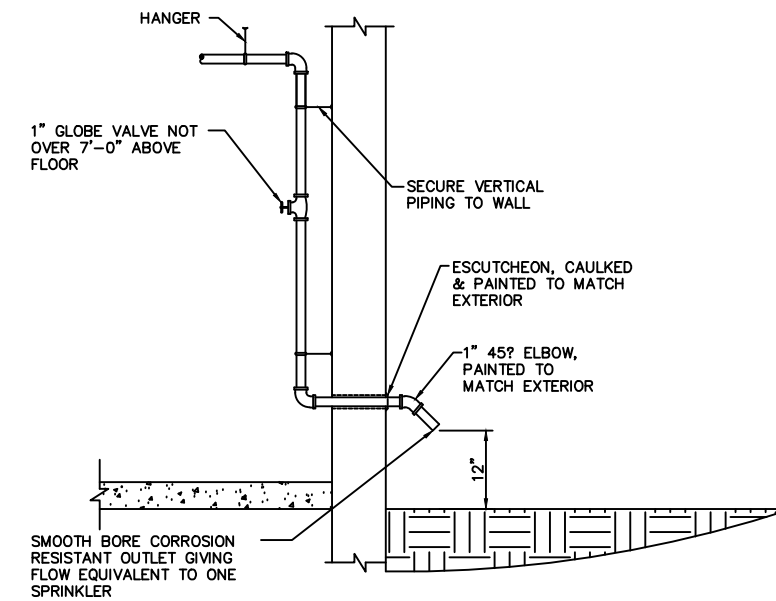
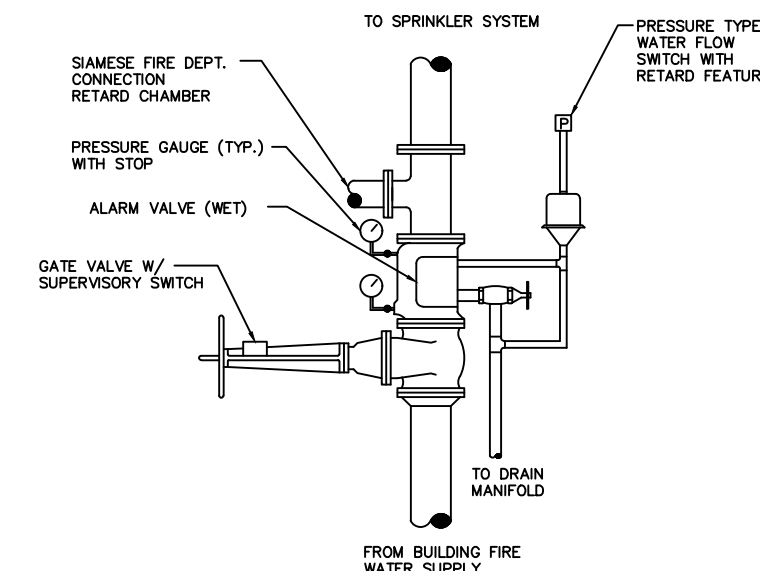


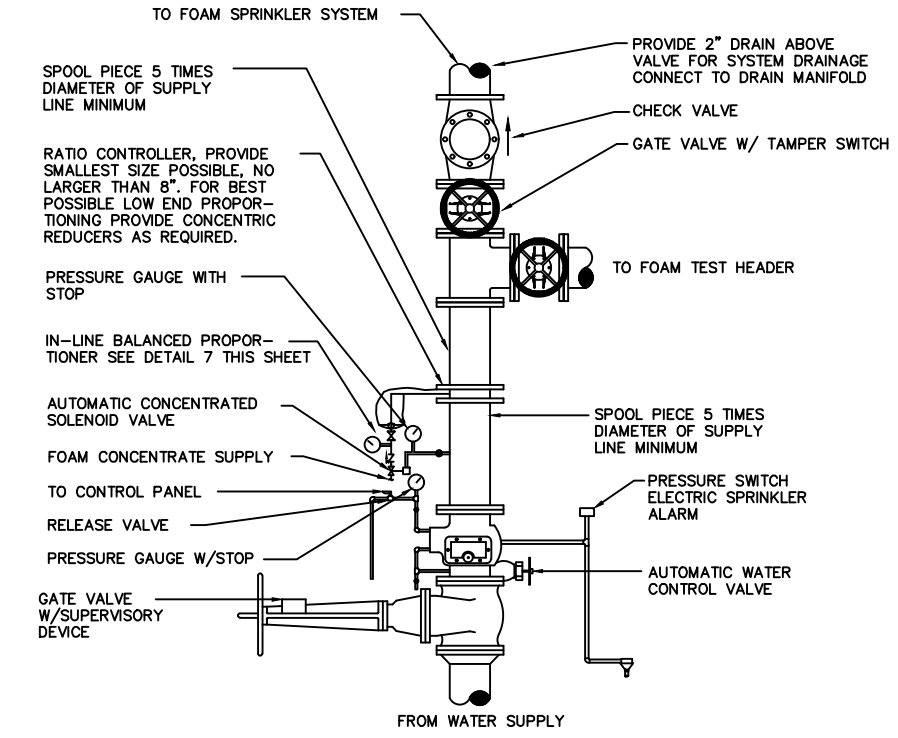
1 CONCRETE EQUIPMENT PAD
N.T.S.



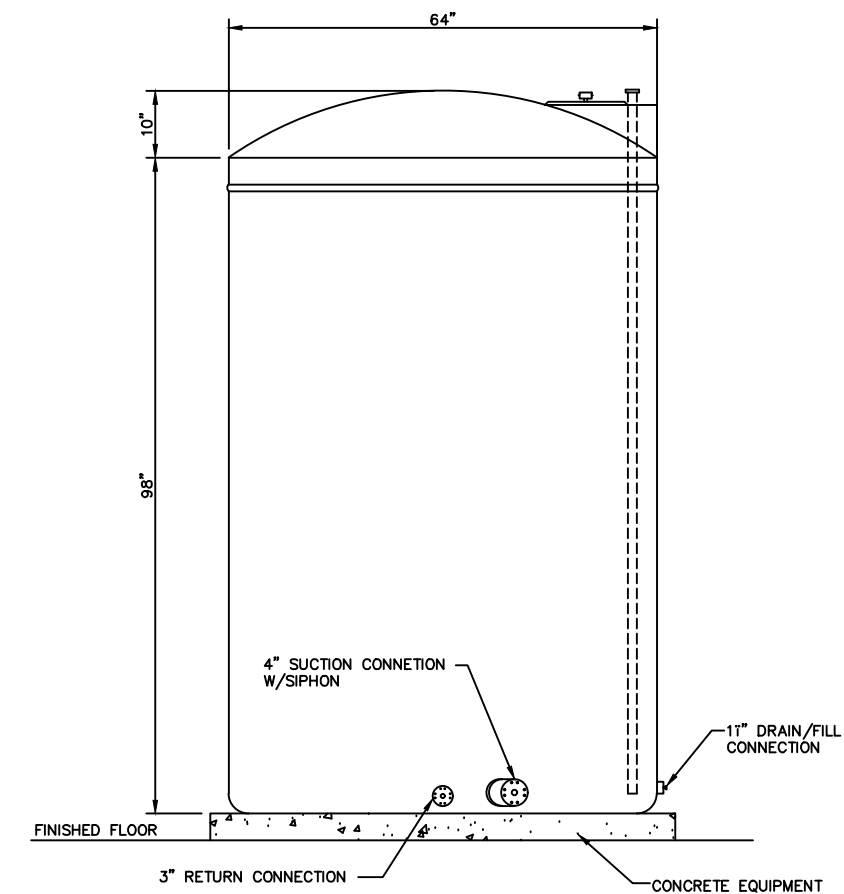
2 INSPECTORS TEST CONNECTION
N.T.S.



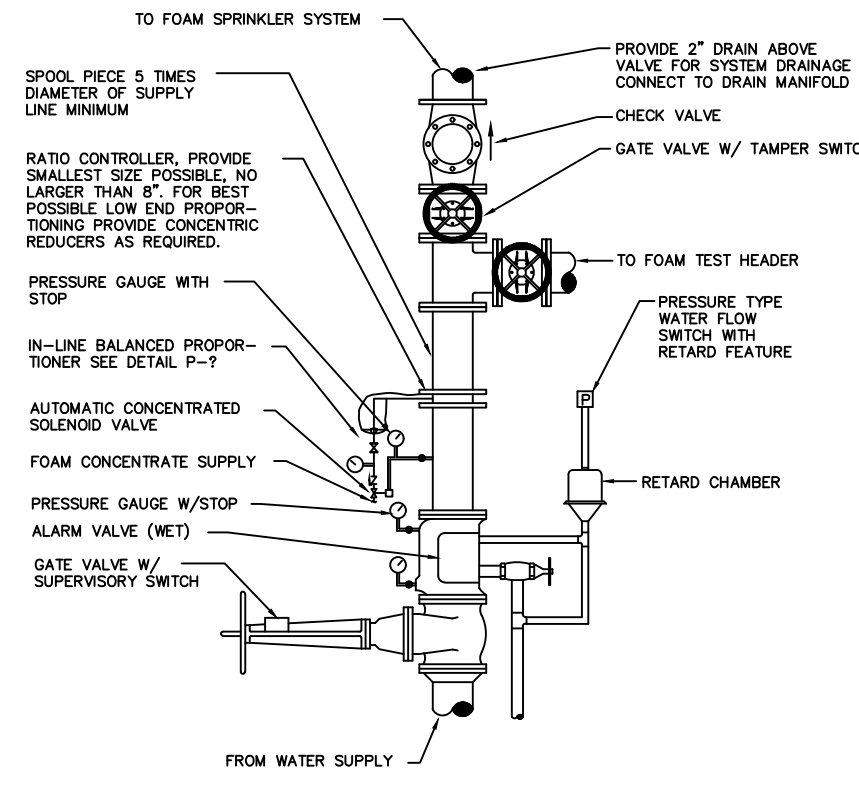
3 WET SPRINKLER SUPPLY
N.T.S.



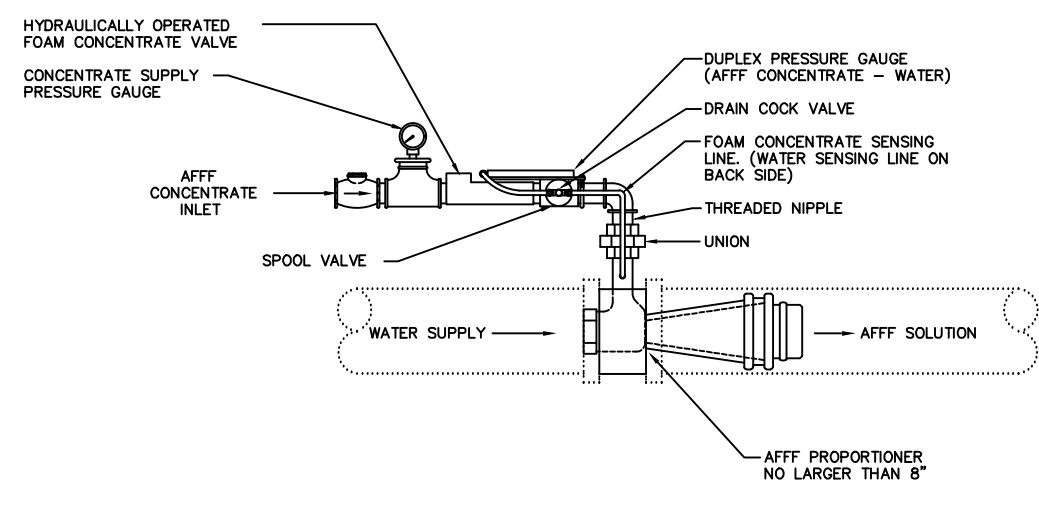
4 WATER/ FOAM SPRINKLER SUPPLY
N.T.S.



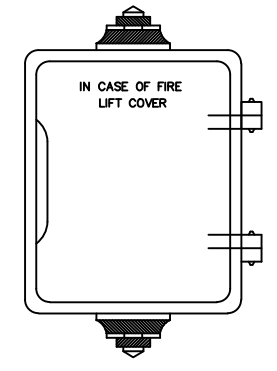
5 AFFF FOAM STORAGE TANK - ATMOSPHERIC
N.T.S.



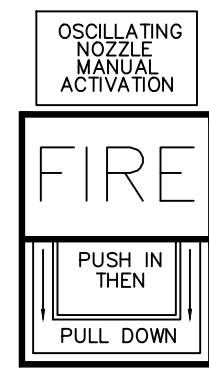
6 MONITOR RISER
N.T.S.



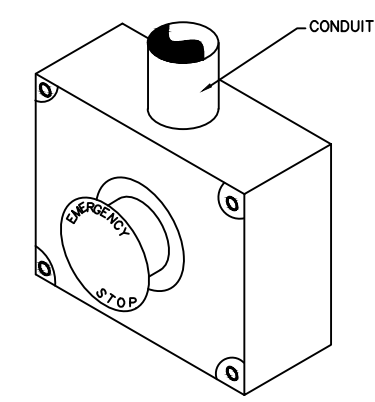
7 IN-LINE BALANCED PRESSURE PROPORTIONER
N.T.S.



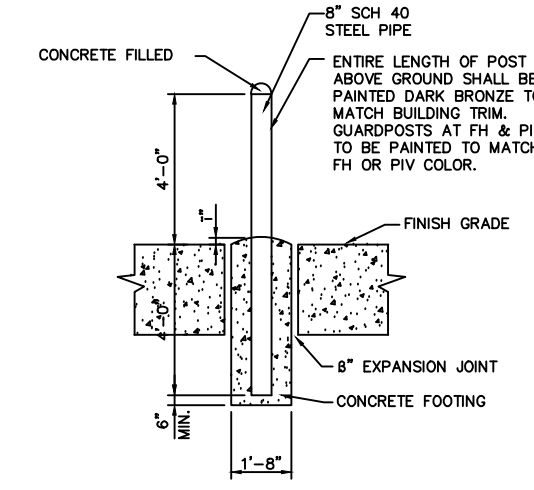
9 PULL STATION PROTECTOR
N.T.S.



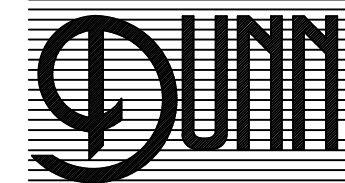
10 MANUAL MONITOR PULL STATION
N.T.S.



11 MONITOR ABORT STATION
N.T.S.



12 PIPE GUARD POST DETAIL
N.T.S.



W.C. DUNN ENGINEERING
SUITE 100
1000 W. 3000
DALLAS, TEXAS 75210
PHONE: 972-242-8800
FAX: 972-242-8810

REPLACE AIRCRAFT MAINTENANCE HANGAR JTVE99090A CRTIC - GULFPORT, MISSISSIPPI

FIRE PROTECTION DETAILS

DATE: 08-10-09
DESIGNED BY: HW
CHECKED BY: HW
PROJECT NO.: W2110114

FP108