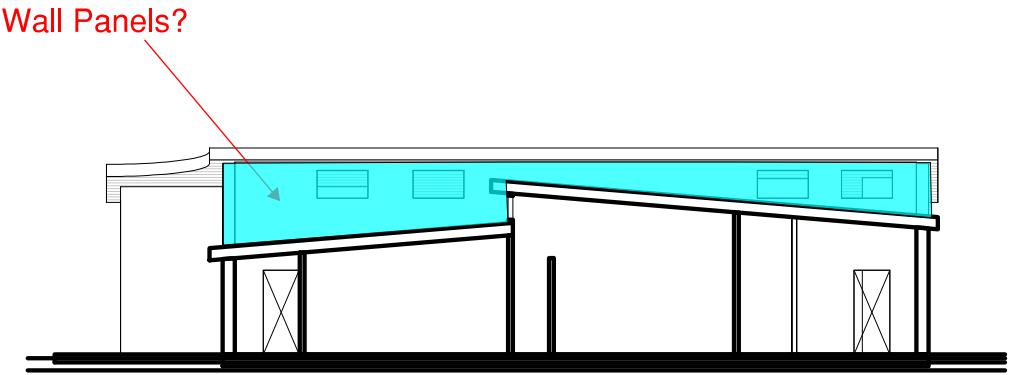
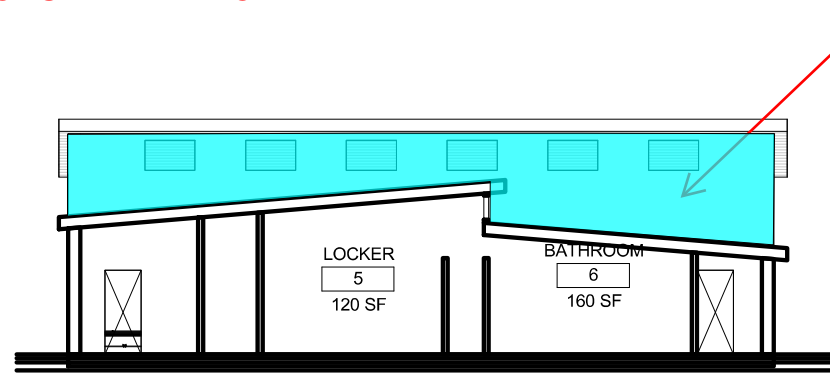
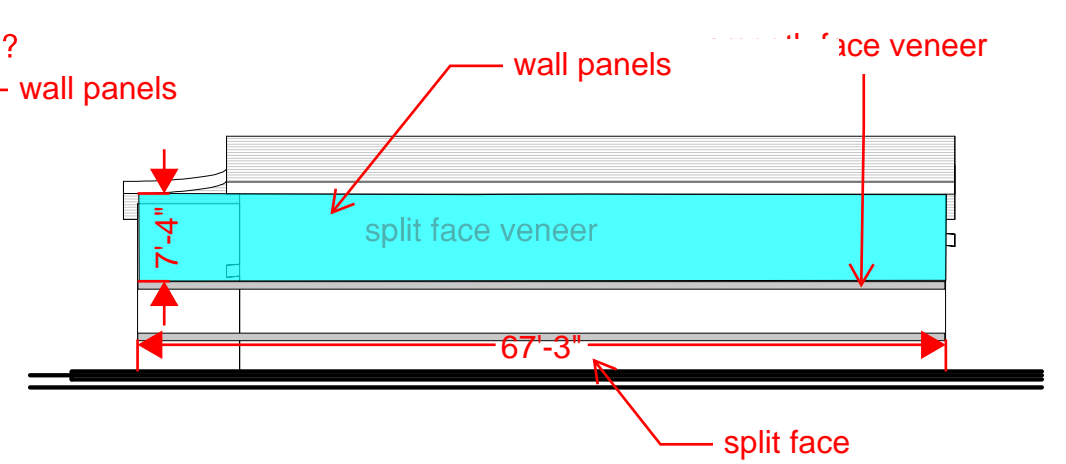
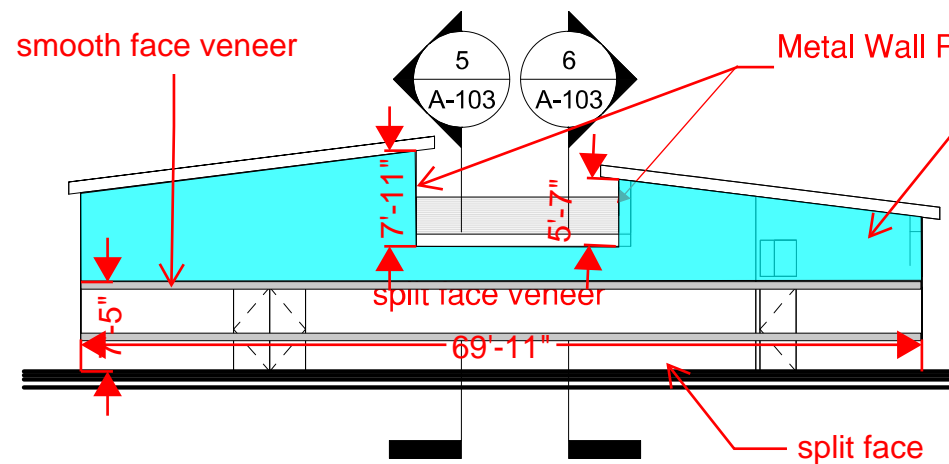


* DIMENSIONS ARE APPROXIMATE



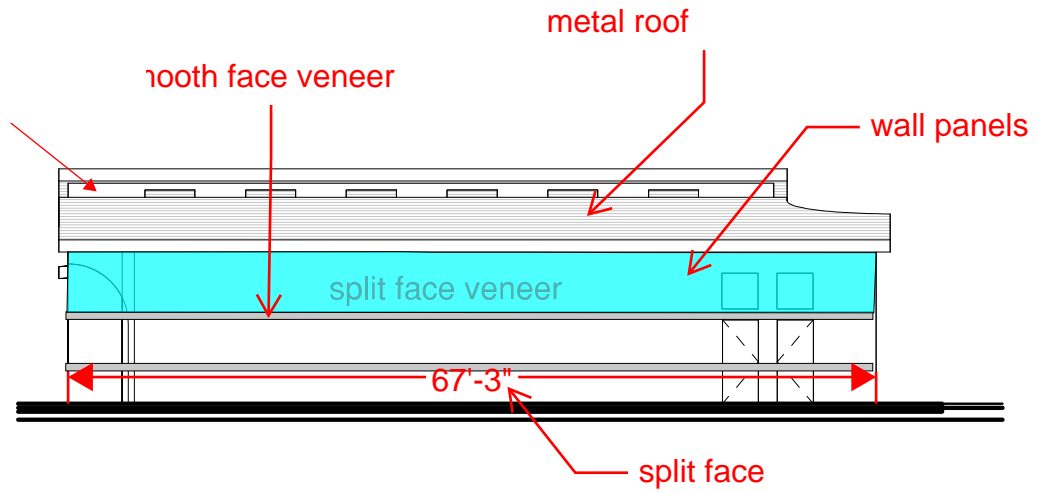
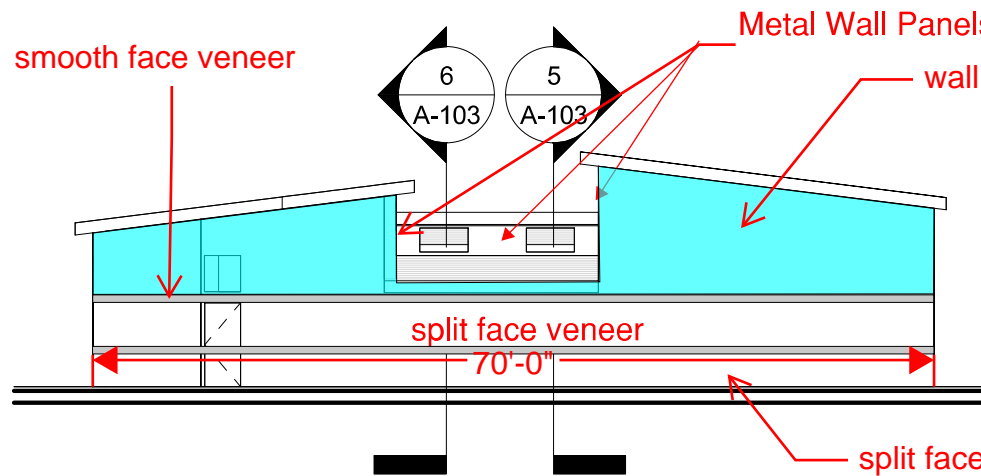
5 SECTION 01
1/16" = 1'-0"

6 SECTION 02
1/16" = 1'-0"



2 NORTH ELEVATION
1/16" = 1'-0"

1 EAST ELEVATION
1/16" = 1'-0"



3 SOUTH ELEVATION
1/16" = 1'-0"

4 WEST ELEVATION
1/16" = 1'-0"