

DESIGN-BUILD HONOR GUARD FACILITY TYNDALL AFB, FLORIDA

B&A Architectural Group Inc.
 4030 ARBUTUS DRIVE, PENSACOLA, FL 32504
 (850) 361-2983
 BAARCHITECTURALGROUPINC.COM
 License No: AA26003671

PROJECT ISSUES:

RFP PRICING DRAWINGS	2022-09-10
RFP SUNSHADE DIMENSIONS	2022-09-12

PROJECT TEAM:
 ARCHITECTURAL
 B&A ARCHITECTURAL GROUP
 STRUCTURAL
 tbd

PROJECT:
 DESIGN-BUILD HONOR GUARD FACILITY

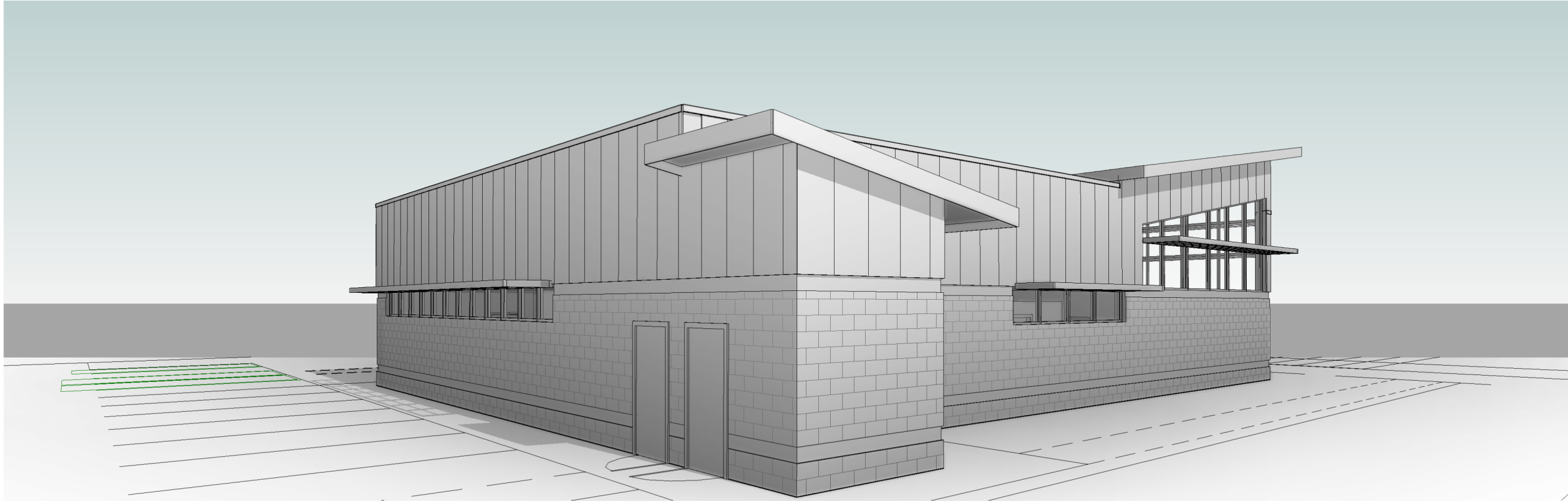
TYNDALL AFB, FLORIDA

**-PRELIMINARY -
NOT FOR
CONSTRUCTION**

PROJECT NO. : 22048
 SHEET TITLE:
 COVER

SHEET NUMBER:
G001

RFP PRICING DRAWINGS



**PRICING DRAWINGS ARE FOR
REFERENCE ONLY AND MAY
NOT EXPRESS FULL DESIGN
REQUIREMENTS OF THIS RFP**

PRINT DATE: 9/13/2022 10:27:18 AM

PROJECT ISSUES:

RFP PRICING DRAWINGS	2022-09-10
RFP SUNSHADE DIMENSIONS	2022-09-12

PROJECT TEAM:
 ARCHITECTURAL
 B&A ARCHITECTURAL GROUP
 STRUCTURAL
 tbd

PROJECT:
 DESIGN-BUILD HONOR GUARD FACILITY

TYNDALL AFB, FLORIDA

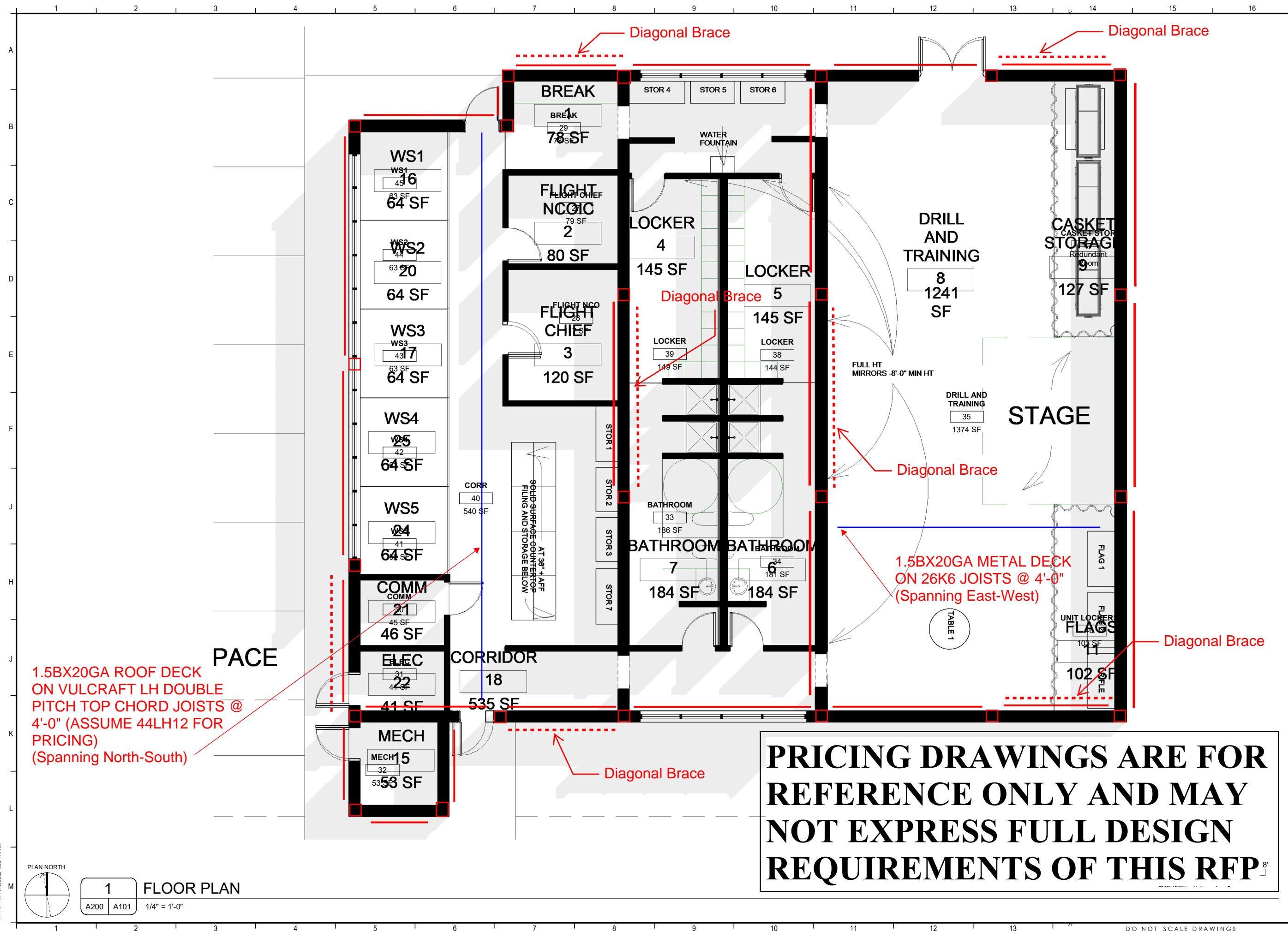
**-PRELIMINARY-
 NOT FOR CONSTRUCTION**

PROJECT NO.: 22048
 SHEET TITLE:
 FLOOR PLAN

SHEET NUMBER:

A101

RFP PRICING DRAWINGS



1.5BX20GA ROOF DECK ON VULCRAFT LH DOUBLE PITCH TOP CHORD JOISTS @ 4'-0" (ASSUME 44LH12 FOR PRICING) (Spanning North-South)

PLAN NORTH
1 FLOOR PLAN
 A200 A101 1/4" = 1'-0"

PRICING DRAWINGS ARE FOR REFERENCE ONLY AND MAY NOT EXPRESS FULL DESIGN REQUIREMENTS OF THIS RFP

PRINT DATE: 9/13/2022 10:27:14 AM

PROJECT ISSUES:

RFP PRICING	2022-09-10
DRAWINGS	
RFP SUNSHADE	2022-09-12
DIMENSIONS	

PROJECT TEAM:

ARCHITECTURAL
 B&A ARCHITECTURAL GROUP
 STRUCTURAL
 tbd

PROJECT:

**DESIGN-BUILD HONOR
 GUARD FACILITY**

TYNDALL AFB, FLORIDA

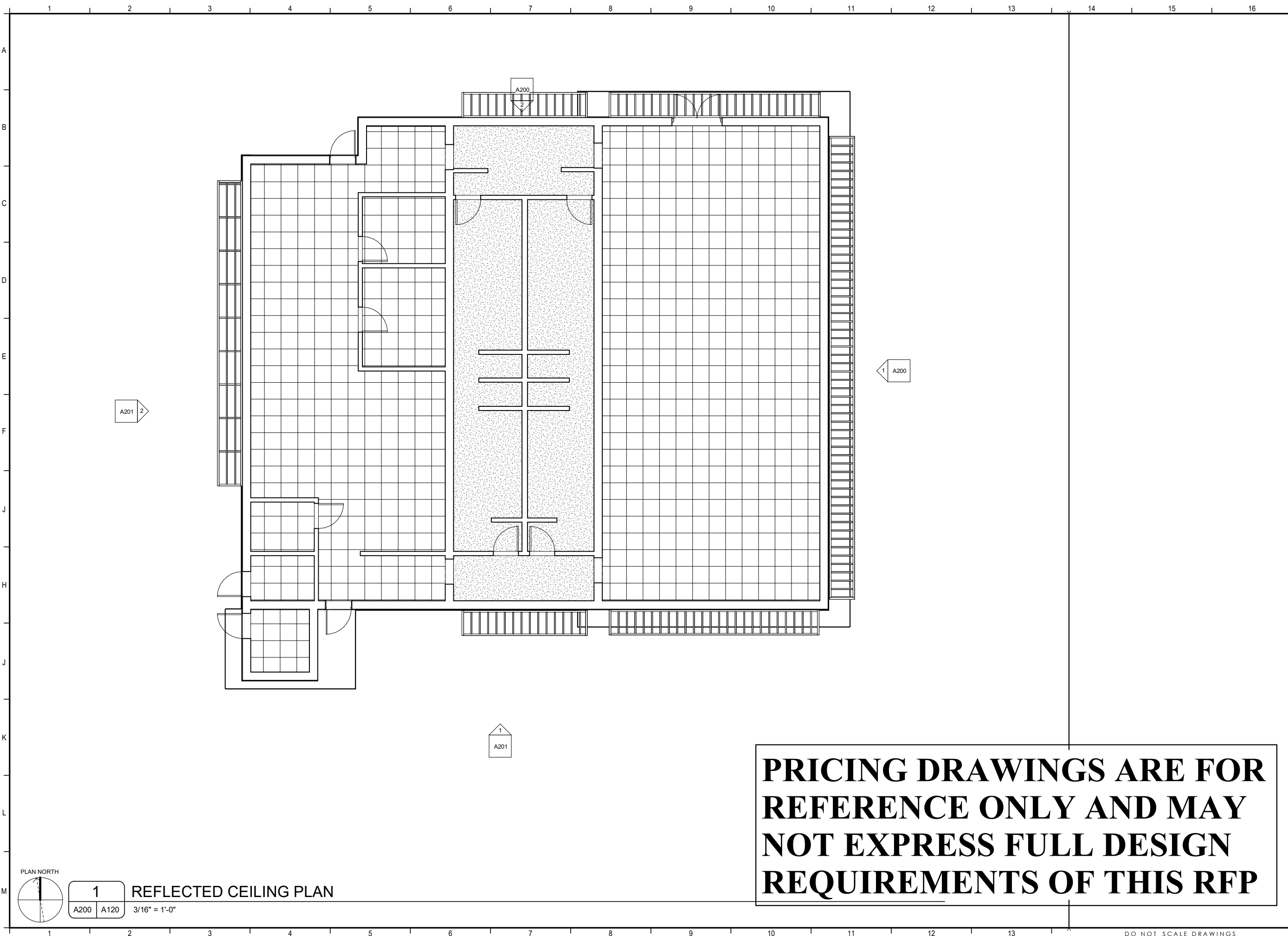
**-PRELIMINARY -
 NOT FOR
 CONSTRUCTION**

PROJECT NO. : 22048
 SHEET TITLE:
 REFLECTED CEILING PLAN

SHEET NUMBER:

A120

RFP PRICING DRAWINGS



**PRICING DRAWINGS ARE FOR
 REFERENCE ONLY AND MAY
 NOT EXPRESS FULL DESIGN
 REQUIREMENTS OF THIS RFP**

PLAN NORTH

1 REFLECTED CEILING PLAN

A200 A120 3/16" = 1'-0"

PRINT DATE: 9/13/2022 10:27:14 AM

PROJECT ISSUES:

RFP PRICING DRAWINGS	2022-09-10
RFP SUNSHADE DIMENSIONS	2022-09-12

PROJECT TEAM:

ARCHITECTURAL
 B&A ARCHITECTURAL GROUP
 STRUCTURAL
 tbd

PROJECT:

DESIGN-BUILD HONOR GUARD FACILITY

TYNDALL AFB, FLORIDA

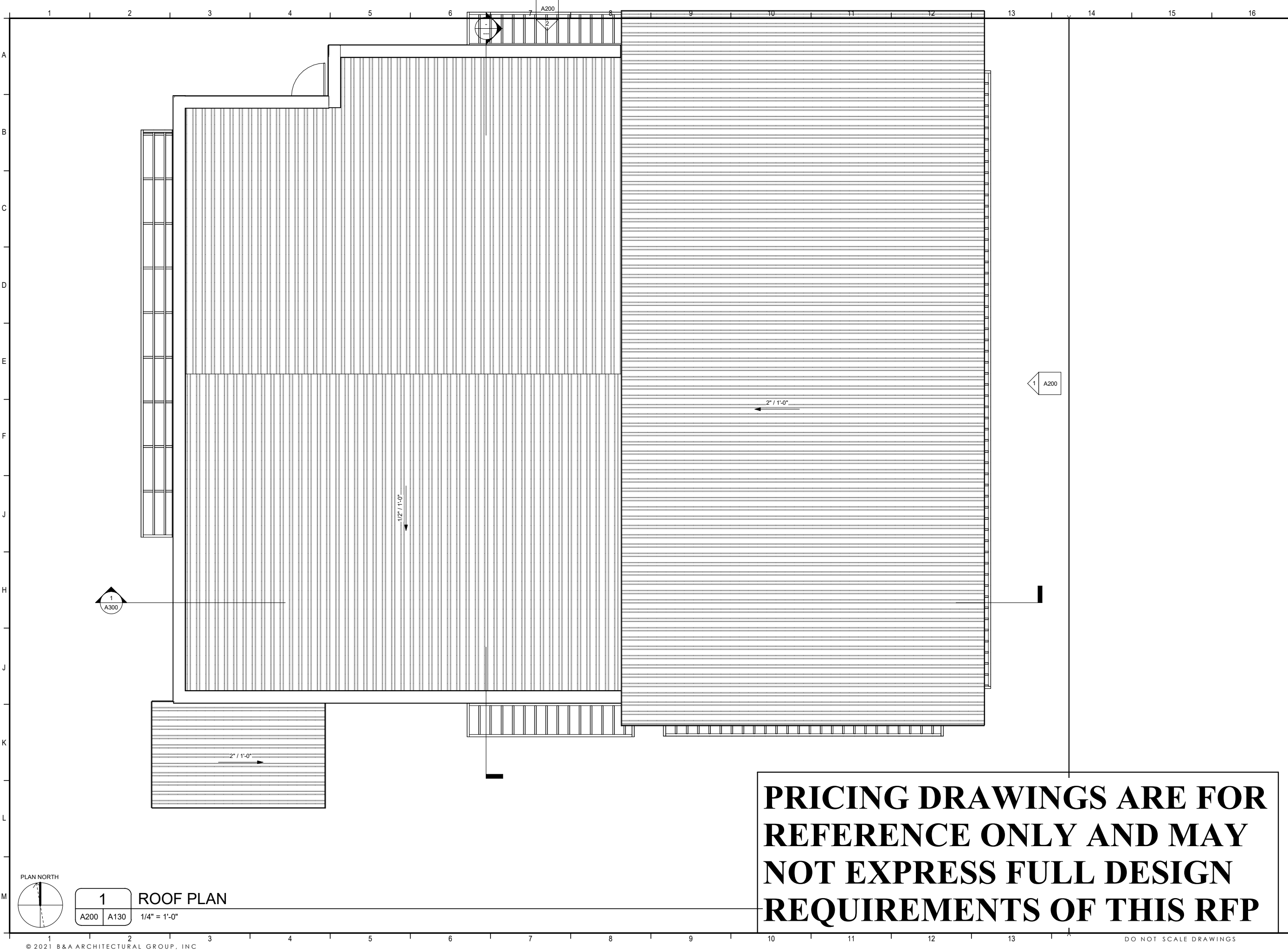
-PRELIMINARY - NOT FOR CONSTRUCTION

PROJECT NO. : 22048
 SHEET TITLE: ROOF PLAN

SHEET NUMBER:

A130

RFP PRICING DRAWINGS



PRICING DRAWINGS ARE FOR REFERENCE ONLY AND MAY NOT EXPRESS FULL DESIGN REQUIREMENTS OF THIS RFP



1 ROOF PLAN
 A200 A130
 1/4" = 1'-0"

PRINT DATE: 9/13/2022 10:27:15 AM

PROJECT ISSUES:

RFP PRICING DRAWINGS	2022-09-10
RFP SUNSHADE DIMENSIONS	2022-09-12

PROJECT TEAM:

ARCHITECTURAL
 B&A ARCHITECTURAL GROUP
 STRUCTURAL
 tbd

PROJECT:
DESIGN-BUILD HONOR GUARD FACILITY

TYNDALL AFB, FLORIDA

PROJECT NO.: 22048
 SHEET TITLE:
 EXTERIOR ELEVATION

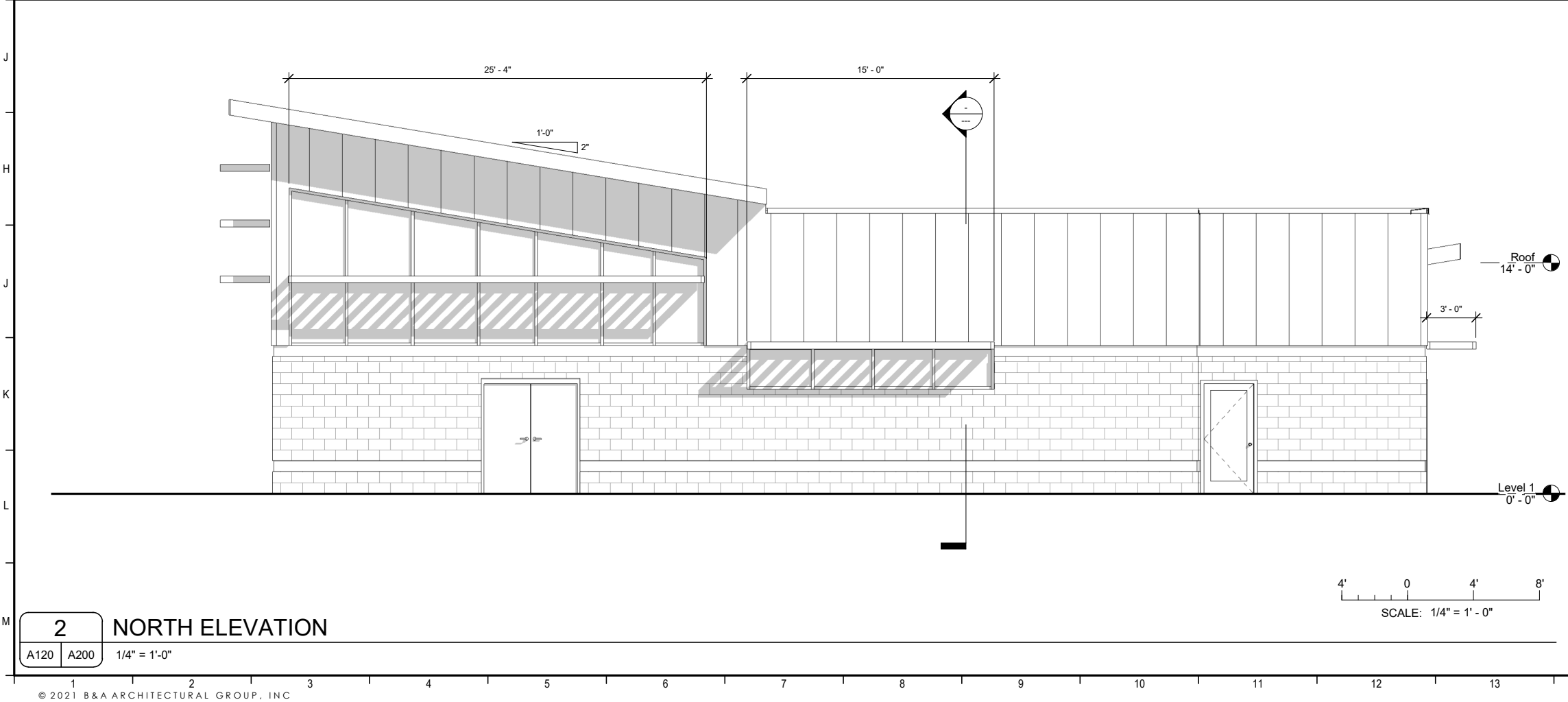
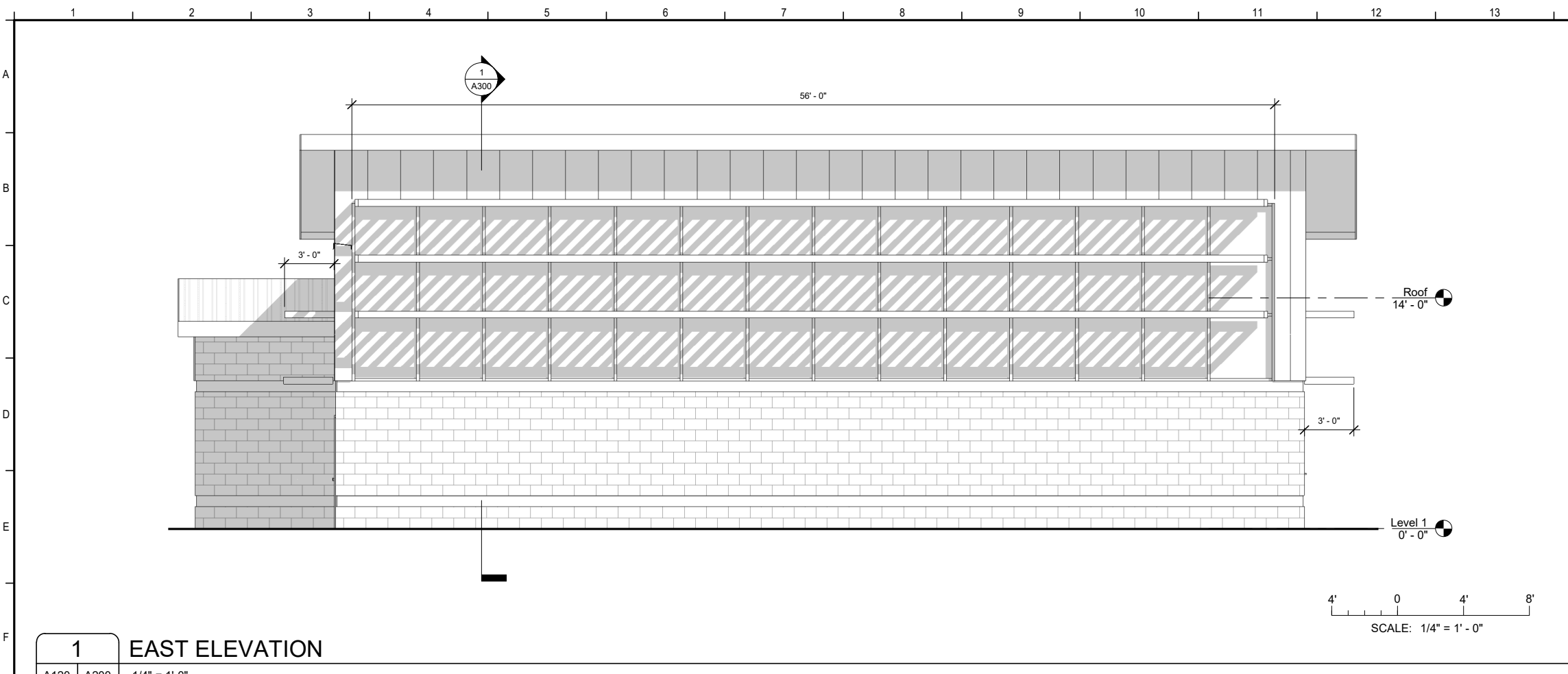
SHEET NUMBER:

A200

RFP PRICING DRAWINGS

PRICING DRAWINGS ARE FOR REFERENCE ONLY AND MAY NOT EXPRESS FULL DESIGN REQUIREMENTS OF THIS RFP

PRELIMINARY - NOT FOR CONSTRUCTION

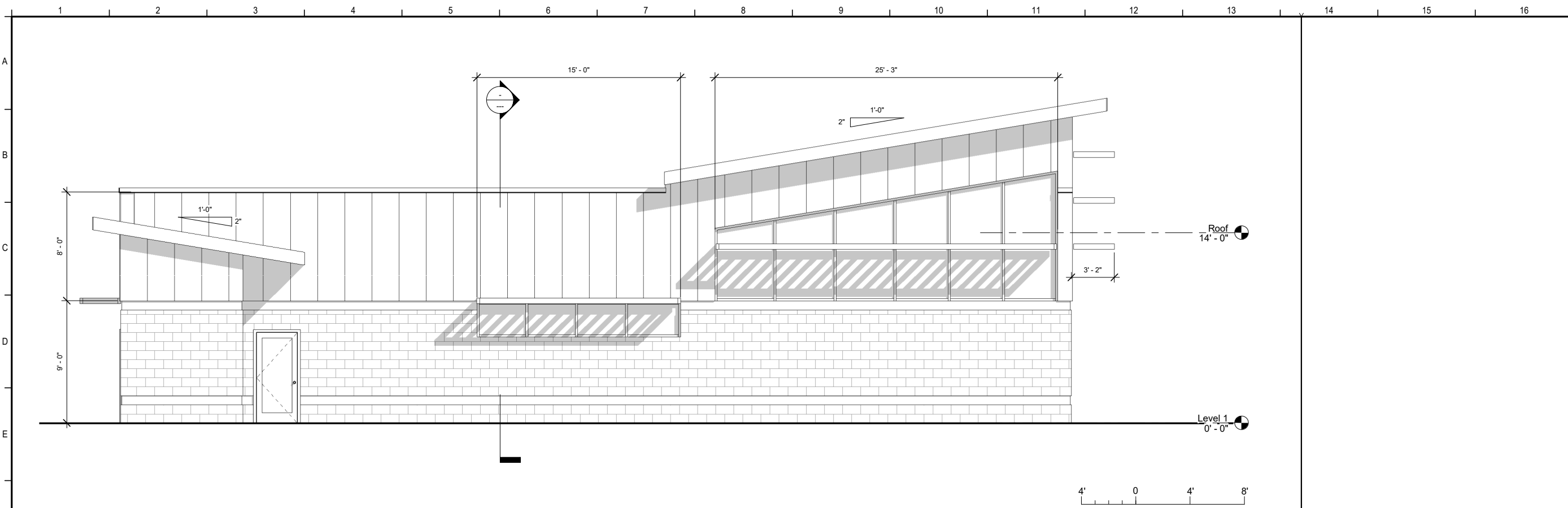


PRINT DATE: 9/13/2022 10:27:16 AM

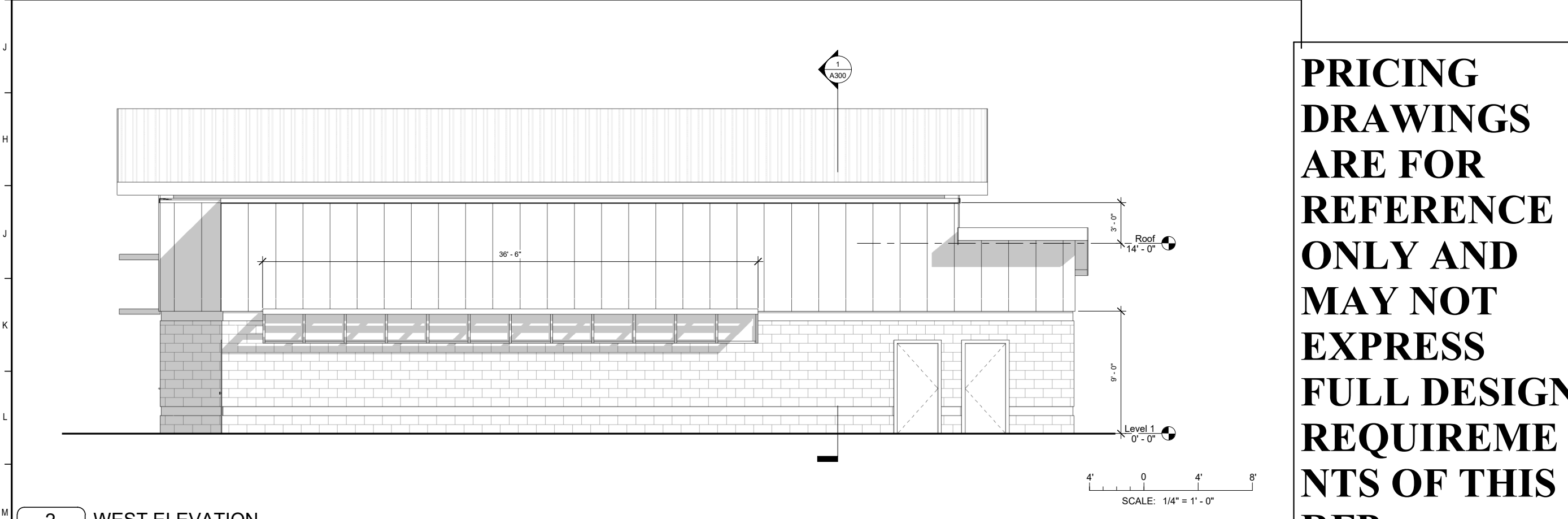
PROJECT ISSUES:

RFP PRICING DRAWINGS	2022-09-10
RFP SUNSHADE DIMENSIONS	2022-09-12

PROJECT TEAM:
 ARCHITECTURAL
 B&A ARCHITECTURAL GROUP
 STRUCTURAL
 tbd



1 SOUTH ELEVATION
 A120 A201 1/4" = 1'-0"



2 WEST ELEVATION
 A120 A201 1/4" = 1'-0"

PRICING DRAWINGS ARE FOR REFERENCE ONLY AND MAY NOT EXPRESS FULL DESIGN REQUIREMENTS OF THIS RFP

PROJECT:
 DESIGN-BUILD HONOR GUARD FACILITY

TYNDALL AFB, FLORIDA

-PRELIMINARY- NOT FOR CONSTRUCTION

PROJECT NO.: 22048
SHEET TITLE: EXTERIOR ELEVATION

SHEET NUMBER:

A201

PROJECT ISSUES:

RFP PRICING DRAWINGS	2022-09-10
RFP SUNSHADE DIMENSIONS	2022-09-12

PROJECT TEAM:

ARCHITECTURAL
B&A ARCHITECTURAL GROUP
STRUCTURAL
tbd

PROJECT:

DESIGN-BUILD HONOR GUARD FACILITY

TYNDALL AFB, FLORIDA

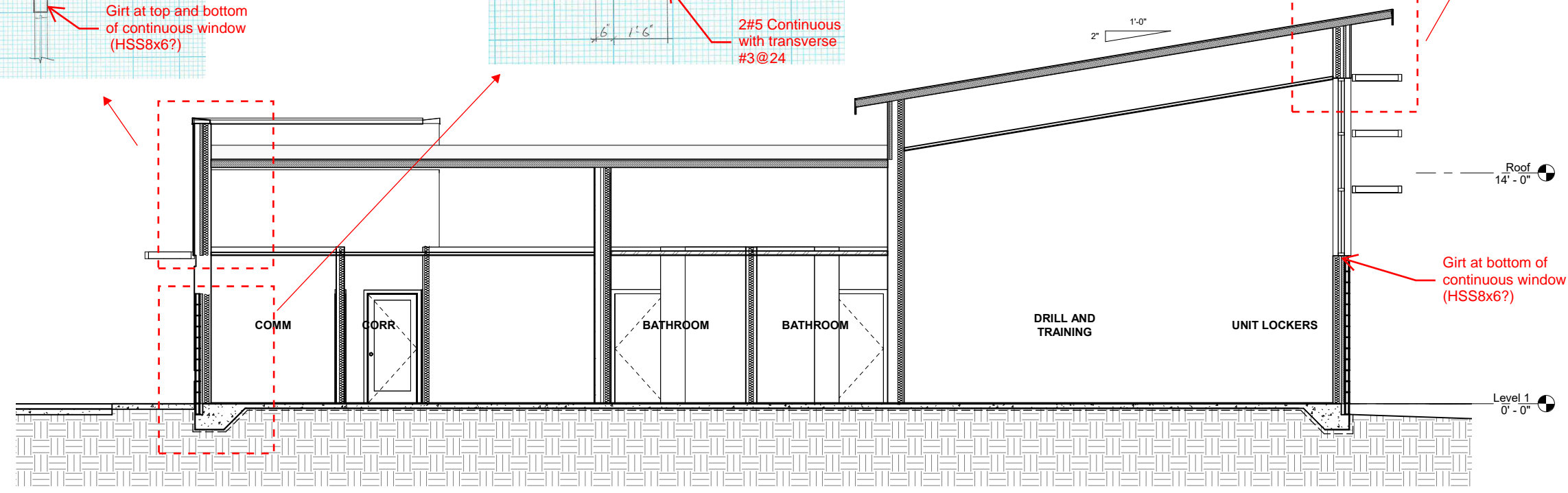
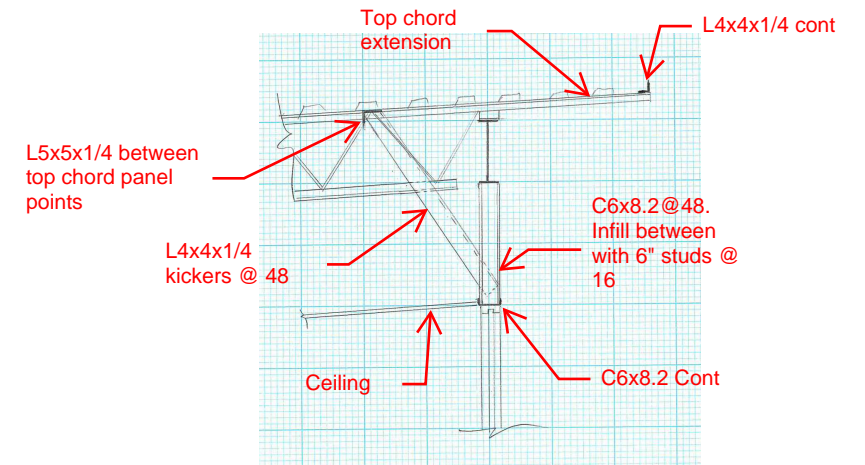
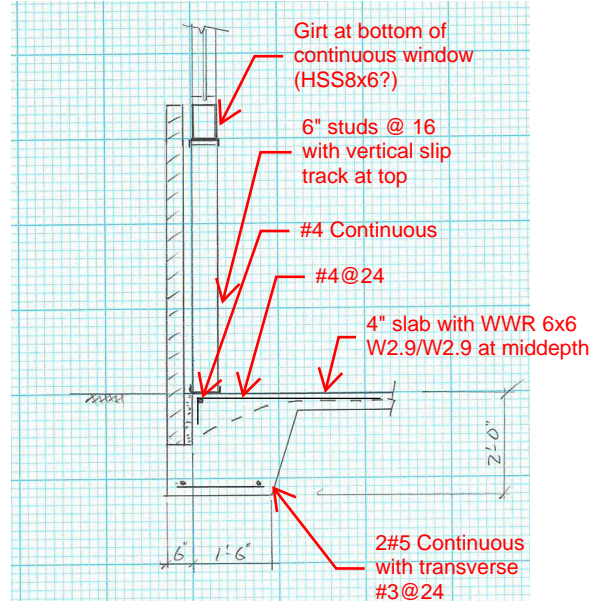
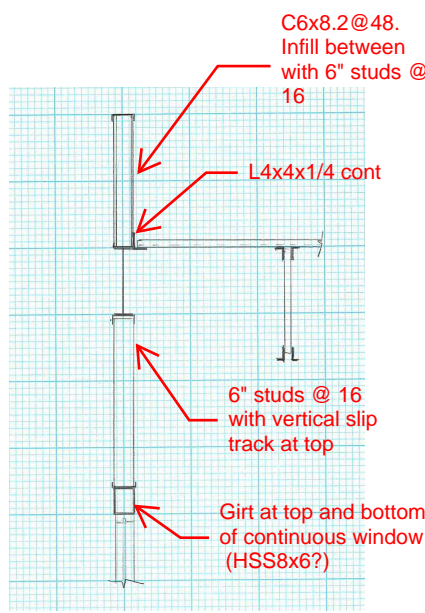
**-PRELIMINARY-
NOT FOR
CONSTRUCTION**

PROJECT NO.: 22048
SHEET TITLE: SECTIONS

SHEET NUMBER:

A300

RFP PRICING DRAWINGS



1 BUILDING SECTION
A130 A300 1/4" = 1'-0"

PRICING DRAWINGS ARE FOR REFERENCE ONLY AND MAY NOT EXPRESS FULL DESIGN REQUIREMENTS OF THIS RFP

PRINT DATE: 9/13/2022 10:27:17 AM