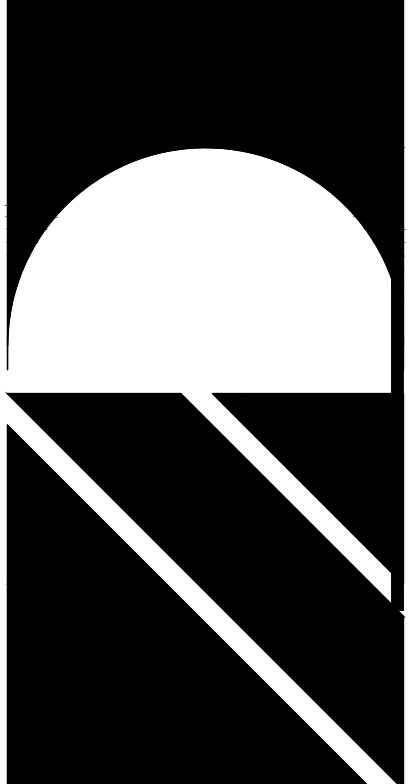


THIS DRAWING & DESIGN SHOWN IS THE PROPERTY OF DONOFRO ARCHITECTS. IT IS TO BE USED ONLY FOR THE PROJECT AND SITE SPECIFICALLY IDENTIFIED HEREON. ANY REUSE OR REPRODUCTION OF THIS DRAWING IS PROHIBITED AND SUBJECT TO LEGAL ACTION. © DONOFRO ARCHITECTS

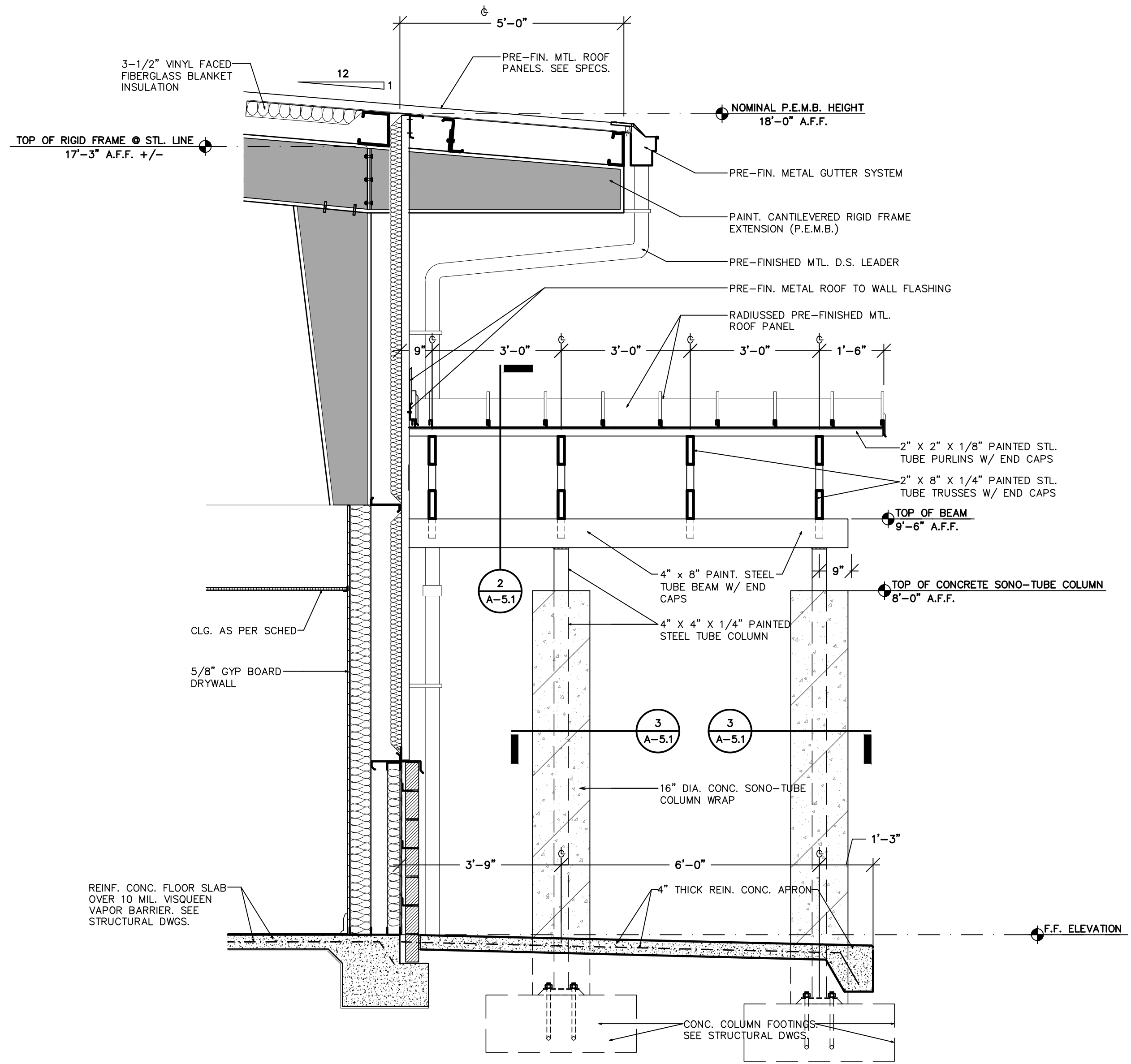
DONOFRO ARCHITECTS
 2910 CALEDONIA ST.
 MARIANNA, FL 32446
 OFFICE: (850) 482-5261
 P.O. BOX 861
 MARIANNA, FL 32447
 FAX: (850) 482-8609



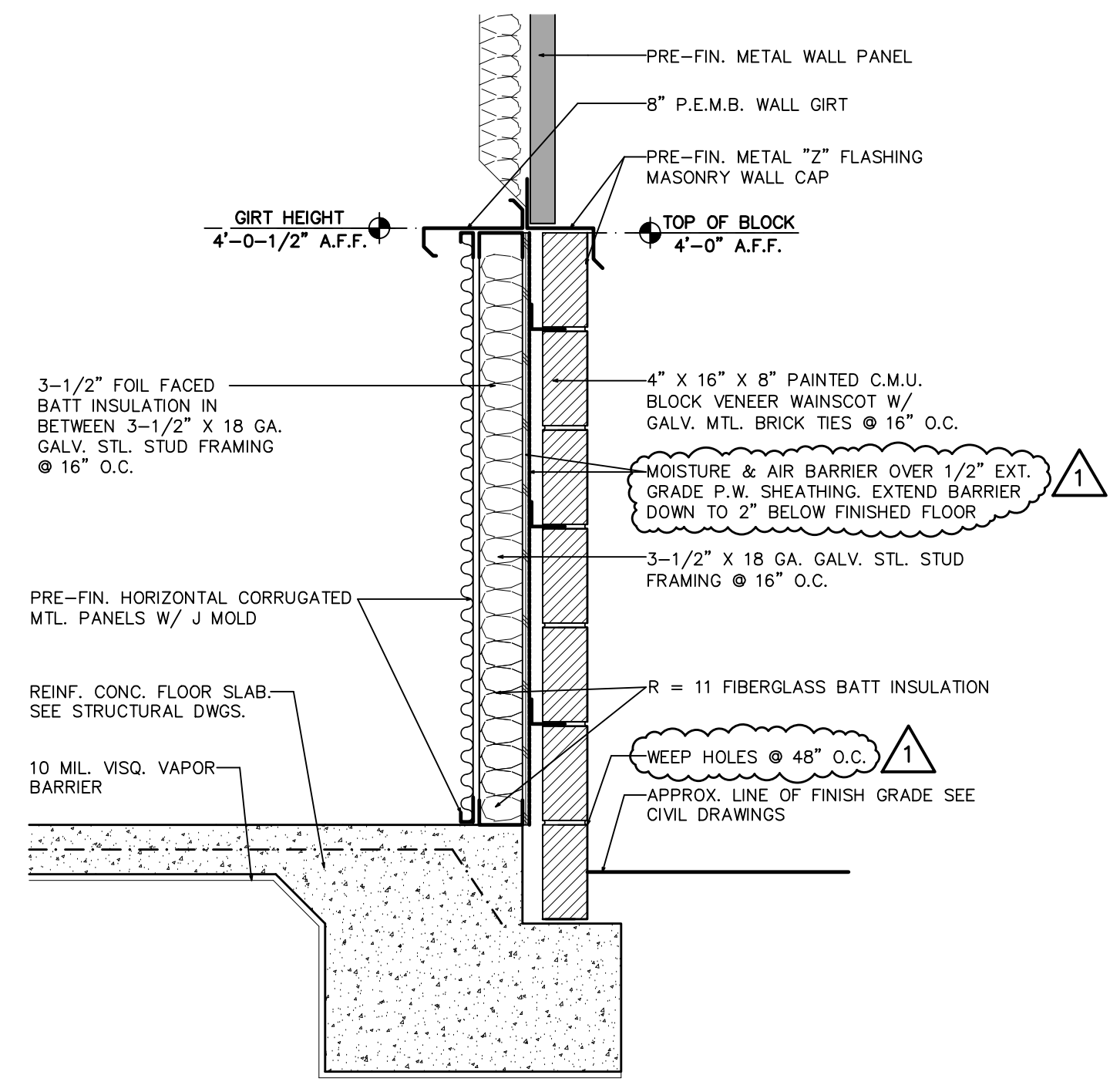
SHEET CONSTRUCTION SECTIONS * DETAILS
 TITLE: NEW FIRE RESCUE STATION
 FOR THE: TOWN OF MALONE
 5187 9TH AVE. MALONE, FLORIDA

JOB NUMBER: M-2023-12
 DATE: AUG. 30, 2024
 DRAWN BY: C.L.D.
 CHECKED BY: P.A.D., JR.

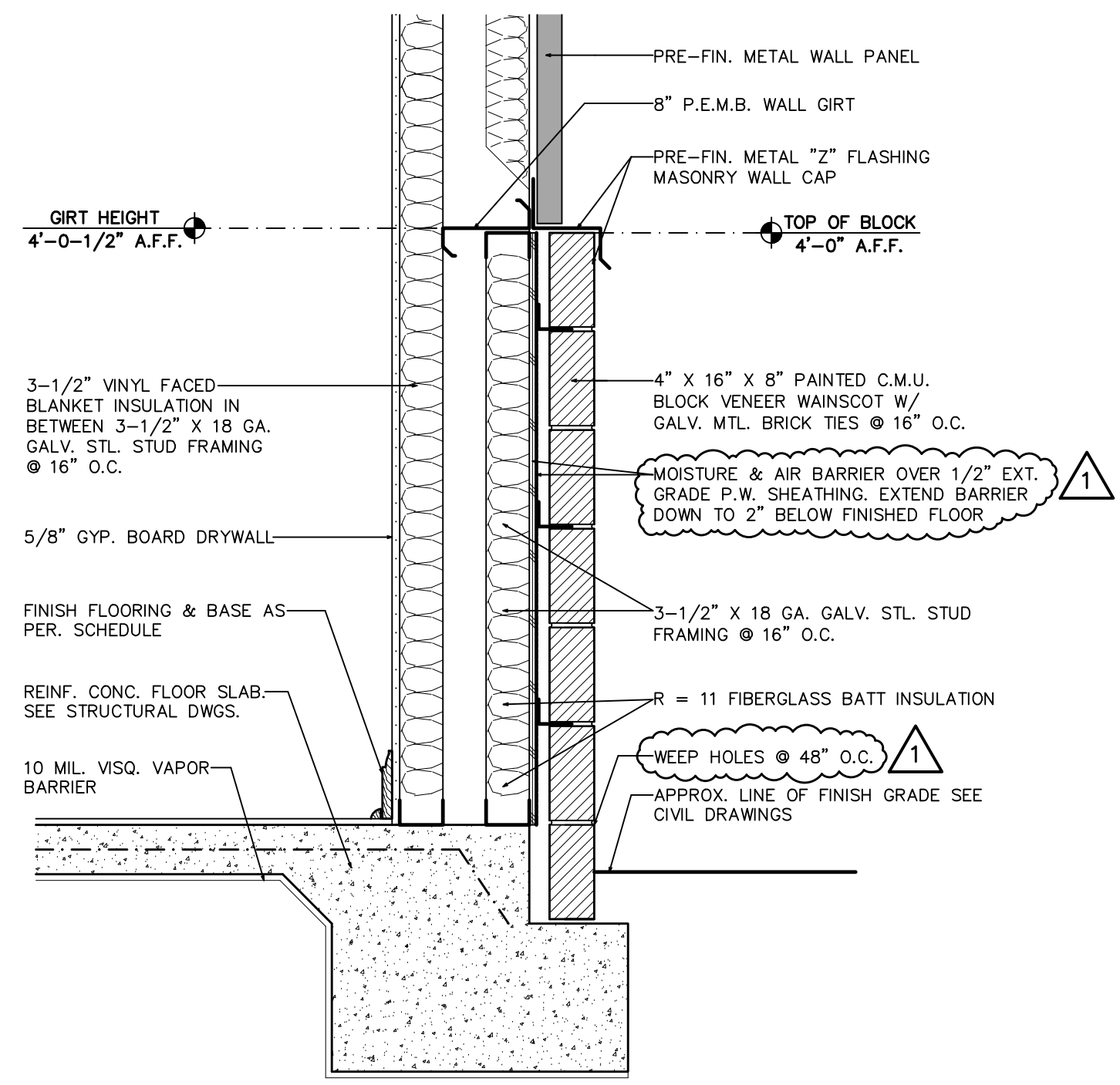
SHEET No.
A-5.1



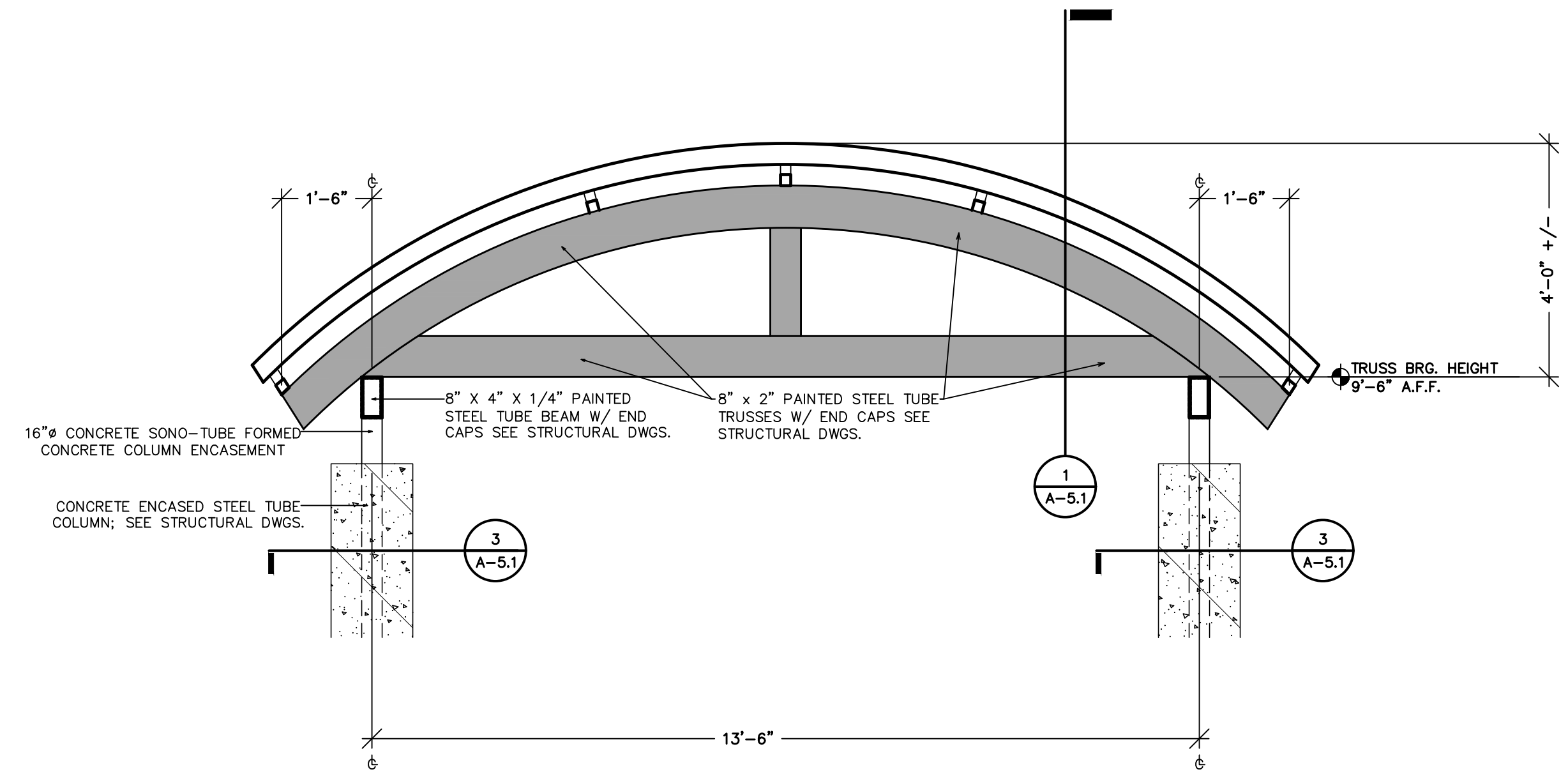
1 CONSTRUCTION SECTION
 1/2" = 1'-0"



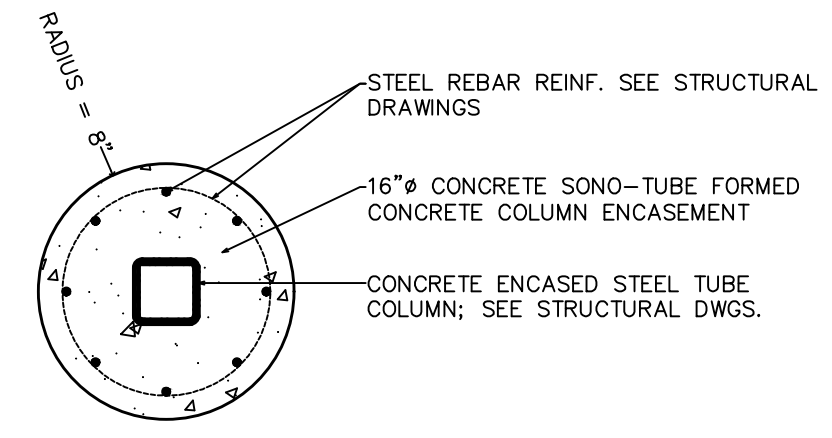
4 PARTIAL WALL SECTION
 1" = 1'-0"



5 PARTIAL WALL SECTION
 1" = 1'-0"



2 CONSTRUCTION DETAIL
 1/2" = 1'-0"



3 CONSTRUCTION DETAIL
 1" = 1'-0"

△ (10-16-2024)