

IMPORTANT NOTES

1. The ceiling minimum structure capacity must be able to support the load specified on the installation drawing.
2. Electrical power source outlet already available by the facility at a maximum distance of 3 meters from charging station.
3. Any obstructions such as vents, pipes, lights and sprinklers that could possibly be in the path of the ceiling lifts to be removed or relocated by the facility prior to installation.
4. Modifications of door headers by the facility.
5. Arjo reserves the right to slightly modify the track layout if necessary.
6. See the "Agreed Conditions for the Installation of Ceiling Lifts" document included with this quote for important installation details.
7. Arjo will not be held responsible for any damages, inconvenience, resulting from hitting any non visible conduits during our installation process.
8. Signed drawings are required prior to ordering and installation of ceiling lifts. This signature of each drawings confirms agreement of all the conditions listed above.





















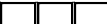
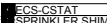




MY SIGNATURE BELOW VERIFIES THAT I HAVE:

Reviewed all 19 pages, with a total quantity of 12 rooms, for the approbation of layout for each room and the approbation of structure for each room. I verify that the answers below are accurate to the best of my knowledge and I understand that the quote produced is dependent upon the conditions below as well as this full drawing set.

- Is a load dock available? YES NO
- Can facility accept shipment and store until install begins? YES NO
- Will a drop trailer be needed? YES NO
- Is parking available on site? Is there a fee involved? YES NO
- Are there any installation time frame limitations?
What are they? YES NO
- Is a level of infectious control required? YES NO
If YES, then what level _____

CUSTOMER APPROVAL: _____ DATE: _____

Legend

 Track  Track with service zone  Track with wall fixation  Track with gate  Track with gate reverse  Wall post  Wall bracket  Wall post side  Track with T-junction  X-Y Trolley (Suspended)  X-Y Trolley (Embedded)  Turntable (Auto/Manual)  Exchanger	 Sprinkler  Smoke detector  Electrical outlet  Ceiling light  Ceiling vent  Access trap required  Existing access trap  Additional items  X-Y alim. type + options  Motor/charger location  Curtain track  IV track  Swivel pole
---	---

(*) Symbol may vary depending of equipment type

Rev2-un001629	10-NOV-2023
Rev1-un001629	07-NOV-2023
REVISION(S)	DATE(S) (D-M-Y)

INSTALLATION DRAWING

VA TRINKA DAVIS VETERAN VILLAGE

DISTRIBUTOR :
ARJO

REPRESENTATIVE :
TIM MUCHNA

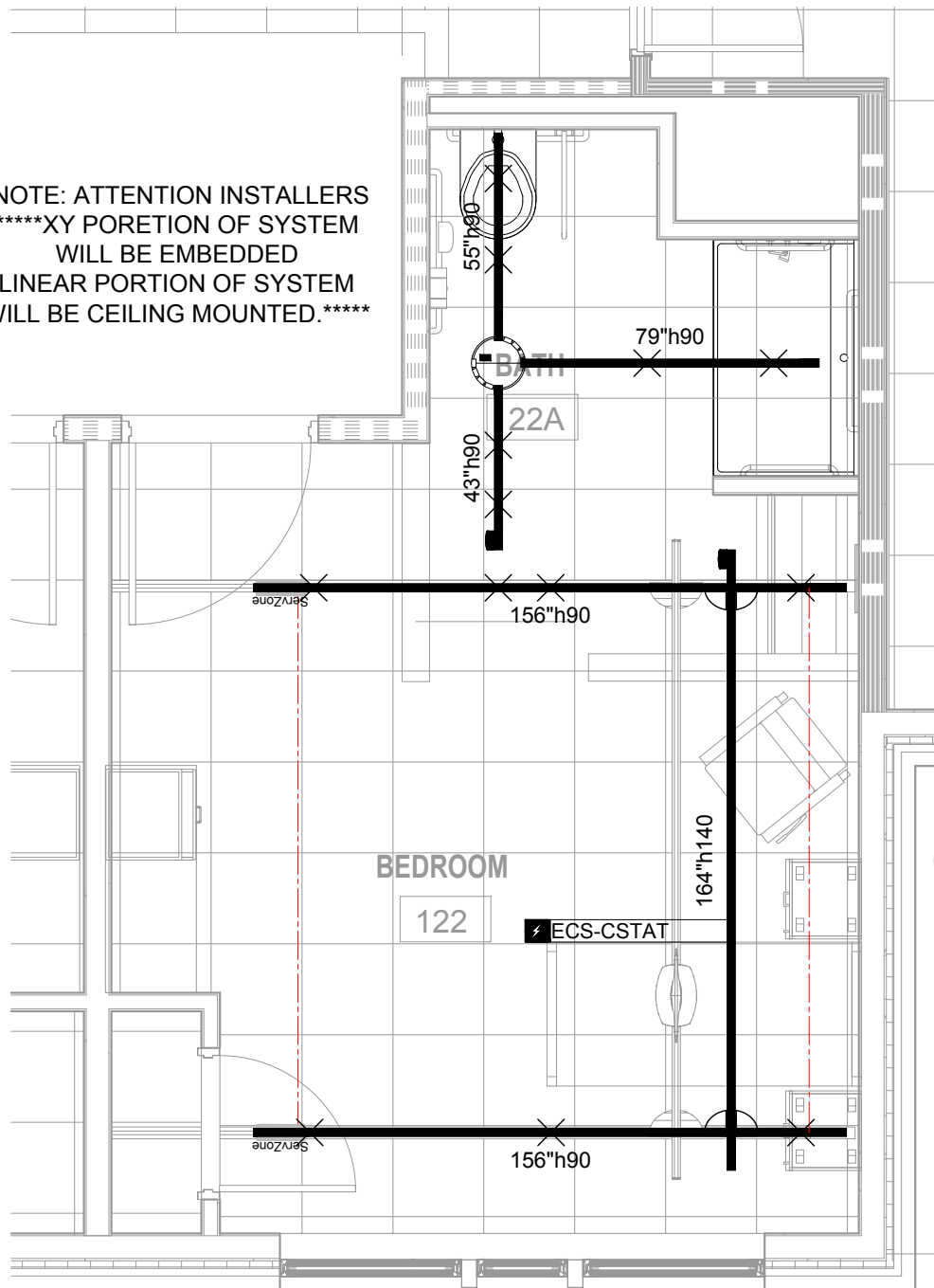
DATE (DD-MMM-YYYY) :
03-NOV-2023

REFERENCE # :
QC-11032301



PAGE :
1 / 19

NOTE: ATTENTION INSTALLERS
 *****XY PORETION OF SYSTEM
 WILL BE EMBEDDED
 LINEAR PORTION OF SYSTEM
 WILL BE CEILING MOUNTED.*****



NOTE: ATTENTION INSTALLERS

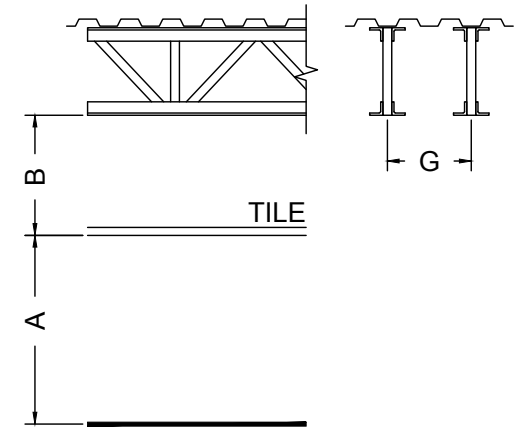
*****Any deviation/changes from the Arjo specified installation details i.e. hardware, bracing, track layout
 MUST be captured, marked on the drawings and returned to Arjo for an as built revision.*****

THIS LAYOUT HAS BEEN PREPARED WITH SUPPLIED DATA.

NOTE: CUTTING OF RAILS ON SITE ONLY



- ALL HARDWARE INCLUDED.
 (ACCORDING TO STRUCTURE)



A=108"
 B=52"
 F=16"
 G=72"
 H=6"

EMBEDDED TRACKS
 ECS SYSTEM

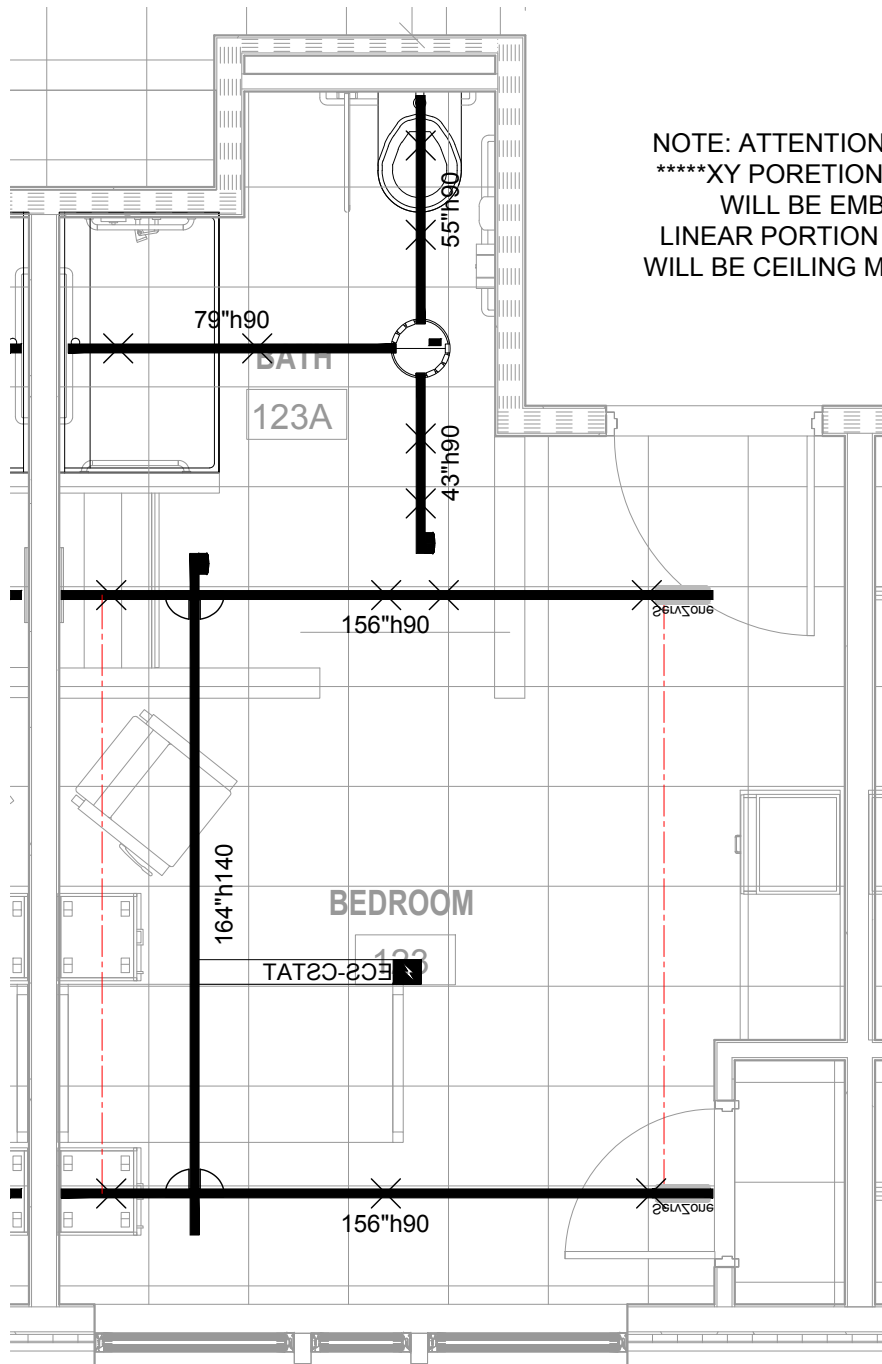
QUANTITY OF ROOMS:	1
LISTING OF ROOM NUMBER(S):	122

**VA TRINKA DAVIS
 VETERAN VILLAGE**

SAFE WORKING LOAD BELOW LIFT: 600LB [272KG]
 WEIGHT FOR LOAD TEST MAY VARY DEPENDING YOUR REGION

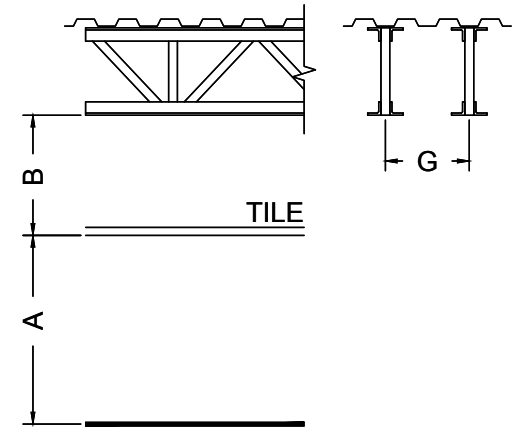
Rev2-un001629	10-NOV-2023
Rev1-un001629	07-NOV-2023
DATE CREATED (DD-MMM-YYYY) :	03-NOV-2023

DRAWN BY : un001629	SCALE : 1/4" = 1'
REFERENCE # : QC-11032301	PAGE : 2 / 19



NOTE: ATTENTION INSTALLERS
 *****XY PORETION OF SYSTEM
 WILL BE EMBEDDED
 LINEAR PORTION OF SYSTEM
 WILL BE CEILING MOUNTED.*****

- ALL HARDWARE INCLUDED.
 (ACCORDING TO STRUCTURE)



A=108"
 B=52"
 F=16"
 G=72"
 H=6"

EMBEDDED TRACKS
 ECS SYSTEM

QUANTITY OF ROOMS:	1
LISTING OF ROOM NUMBER(S):	123

**VA TRINKA DAVIS
 VETERAN VILLAGE**

SAFE WORKING LOAD BELOW LIFT: 600LB [272KG]
 WEIGHT FOR LOAD TEST MAY VARY DEPENDING YOUR REGION

Rev2-un001629	10-NOV-2023
Rev1-un001629	07-NOV-2023
DATE CREATED (DD-MMM-YYYY) :	03-NOV-2023

DRAWN BY : un001629	SCALE : 1/4" = 1'
REFERENCE # : QC-11032301	PAGE : 3 / 19

NOTE: ATTENTION INSTALLERS

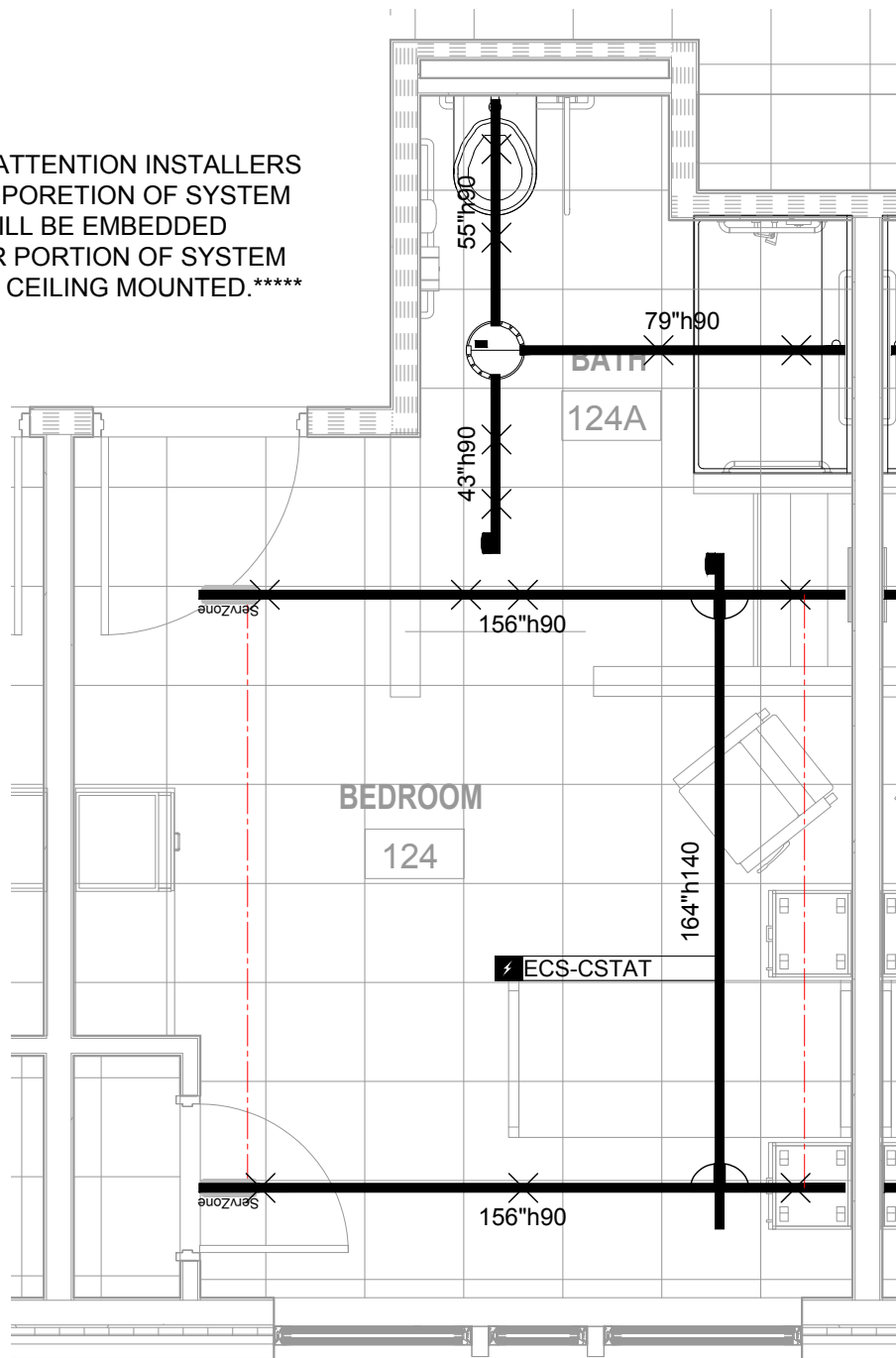
*****Any deviation/changes from the Arjo specified installation details i.e. hardware, bracing, track layout
 MUST be captured, marked on the drawings and returned to Arjo for an as built revision.*****

THIS LAYOUT HAS BEEN PREPARED WITH SUPPLIED DATA.

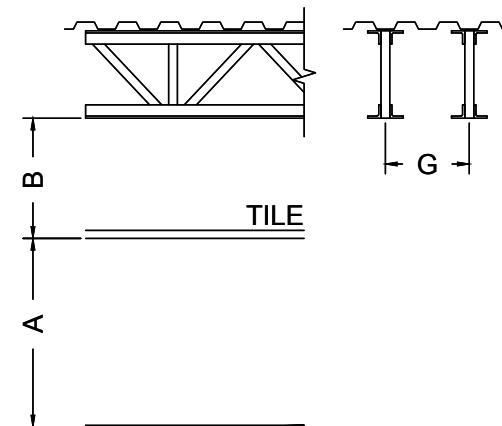
NOTE: CUTTING OF RAILS ON SITE ONLY



NOTE: ATTENTION INSTALLERS
 *****XY PORETION OF SYSTEM
 WILL BE EMBEDDED
 LINEAR PORTION OF SYSTEM
 WILL BE CEILING MOUNTED.*****



- ALL HARDWARE INCLUDED.
 (ACCORDING TO STRUCTURE)



A=108"
 B=52"
 F=16"
 G=72"
 H=6"

EMBEDDED TRACKS
 ECS SYSTEM

QUANTITY OF ROOMS: 1

LISTING OF ROOM NUMBER(S):
 124

**VA TRINKA DAVIS
 VETERAN VILLAGE**

SAFE WORKING LOAD BELOW LIFT: 600LB [272KG]
 WEIGHT FOR LOAD TEST MAY VARY DEPENDING YOUR REGION

Rev2-un001629	10-NOV-2023
Rev1-un001629	07-NOV-2023
DATE CREATED (DD-MMM-YYYY) :	03-NOV-2023

DRAWN BY : un001629
 SCALE : 1/4" = 1'

REFERENCE # : QC-11032301
 PAGE : 4 / 19

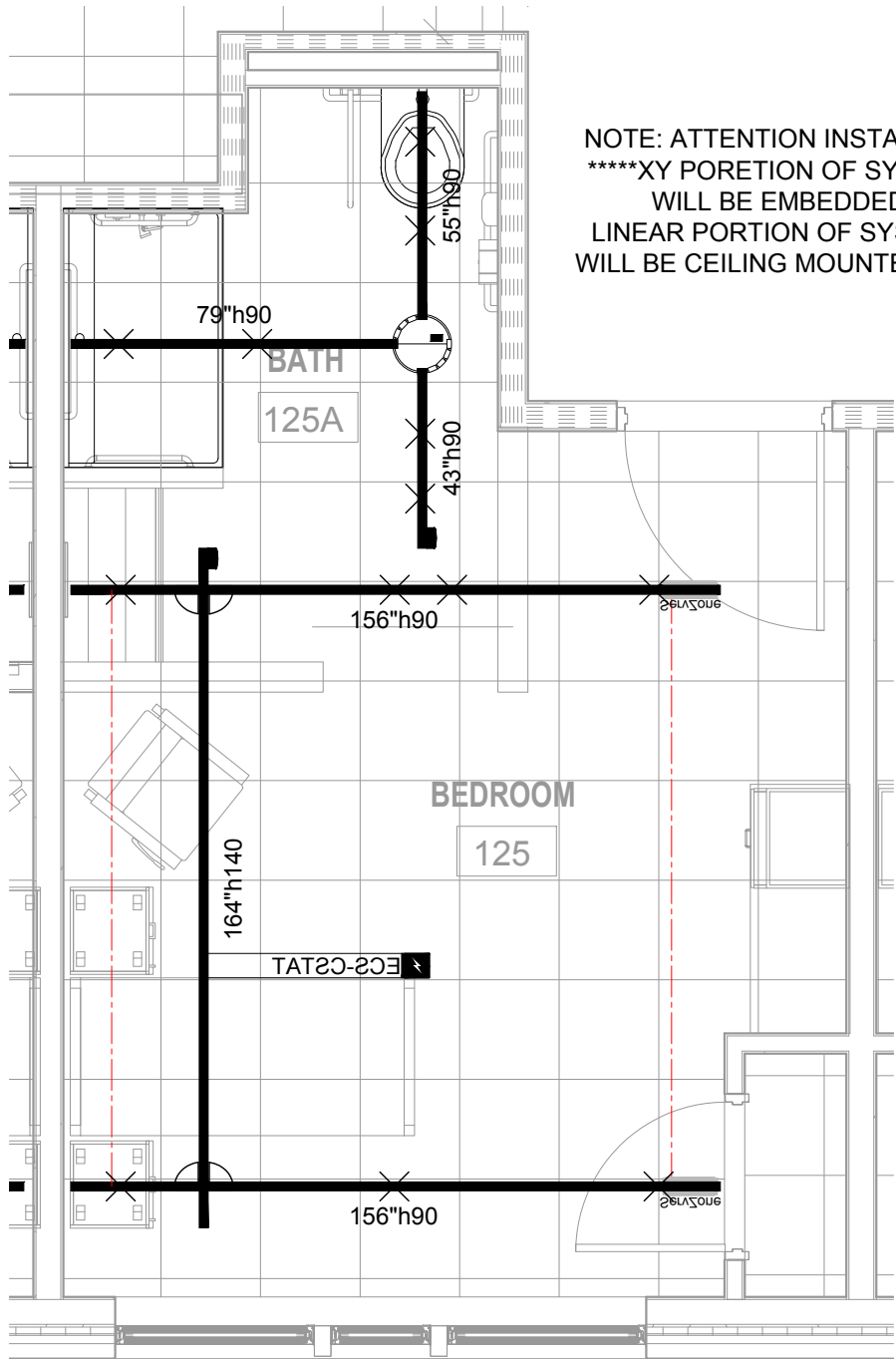
NOTE: ATTENTION INSTALLERS

*****Any deviation/changes from the Arjo specified installation details i.e. hardware, bracing, track layout
 MUST be captured, marked on the drawings and returned to Arjo for an as built revision.*****

THIS LAYOUT HAS BEEN PREPARED WITH SUPPLIED DATA.

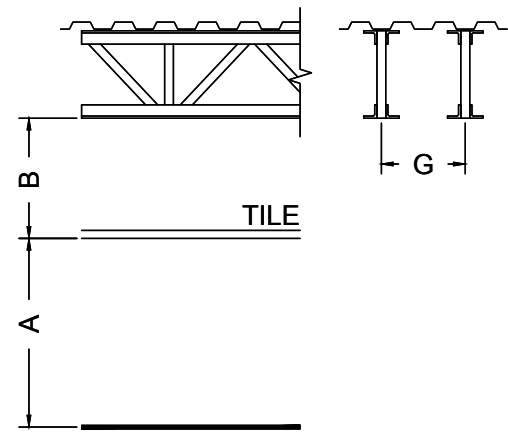
NOTE: CUTTING OF RAILS ON SITE ONLY





NOTE: ATTENTION INSTALLERS
 *****XY PORETION OF SYSTEM
 WILL BE EMBEDDED
 LINEAR PORTION OF SYSTEM
 WILL BE CEILING MOUNTED.*****

- ALL HARDWARE INCLUDED.
 (ACCORDING TO STRUCTURE)



A=108"
 B=52"
 F=16"
 G=72"
 H=6"

EMBEDDED TRACKS
 ECS SYSTEM

QUANTITY OF ROOMS: 1

LISTING OF ROOM NUMBER(S):
 125

**VA TRINKA DAVIS
 VETERAN VILLAGE**

SAFE WORKING LOAD BELOW LIFT: 600LB [272KG]
 WEIGHT FOR LOAD TEST MAY VARY DEPENDING YOUR REGION

Rev2-un001629 10-NOV-2023

Rev1-un001629 07-NOV-2023

DATE CREATED (DD-MMM-YYYY) : 03-NOV-2023

DRAWN BY :
 un001629

SCALE :
 1/4" = 1'

REFERENCE # :
 QC-11032301

PAGE :
 5 / 19

NOTE: ATTENTION INSTALLERS

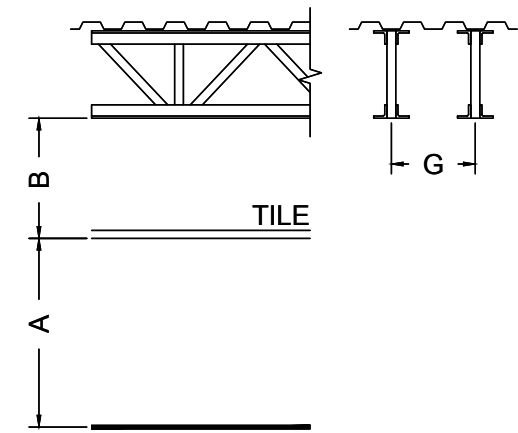
*****Any deviation/changes from the Arjo specified installation details i.e. hardware, bracing, track layout
 MUST be captured, marked on the drawings and returned to Arjo for an as built revision.*****

THIS LAYOUT HAS BEEN PREPARED WITH SUPPLIED DATA.

NOTE: CUTTING OF RAILS ON SITE ONLY



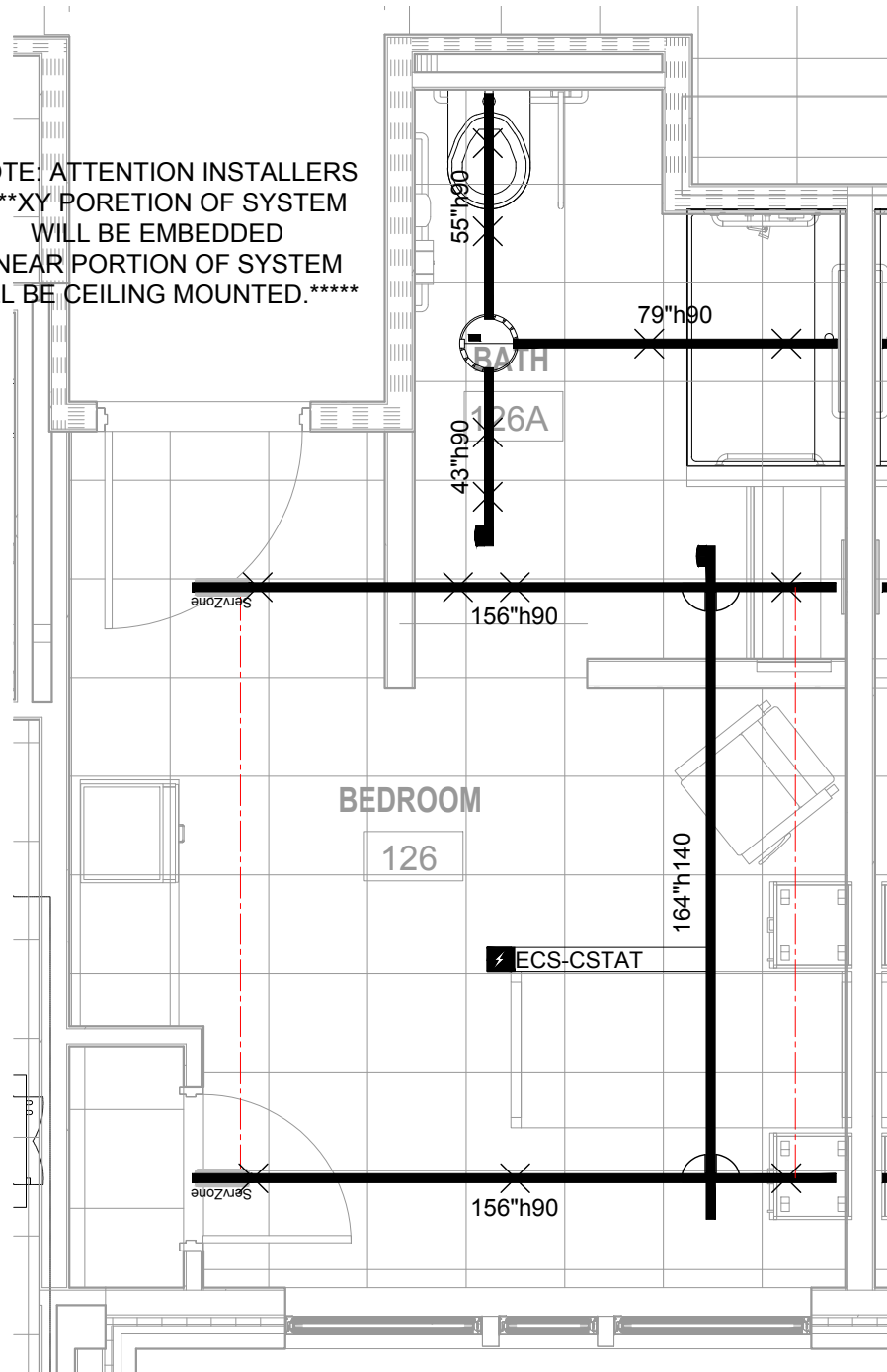
- ALL HARDWARE INCLUDED.
(ACCORDING TO STRUCTURE)



A=108"
B=52"
F=16"
G=72"
H=6"

EMBEDDED TRACKS
ECS SYSTEM

NOTE: ATTENTION INSTALLERS
*****XY PORETION OF SYSTEM
WILL BE EMBEDDED
LINEAR PORTION OF SYSTEM
WILL BE CEILING MOUNTED.*****



NOTE: ATTENTION INSTALLERS

*****Any deviation/changes from the Arjo specified installation details i.e. hardware, bracing, track layout
MUST be captured, marked on the drawings and returned to Arjo for an as built revision.*****

QUANTITY OF ROOMS: 1

LISTING OF ROOM NUMBER(S):
126

**VA TRINKA DAVIS
VETERAN VILLAGE**

SAFE WORKING LOAD BELOW LIFT: 600LB [272KG]
WEIGHT FOR LOAD TEST MAY VARY DEPENDING YOUR REGION

Rev2-un001629	10-NOV-2023
Rev1-un001629	07-NOV-2023
DATE CREATED (DD-MMM-YYYY) :	03-NOV-2023

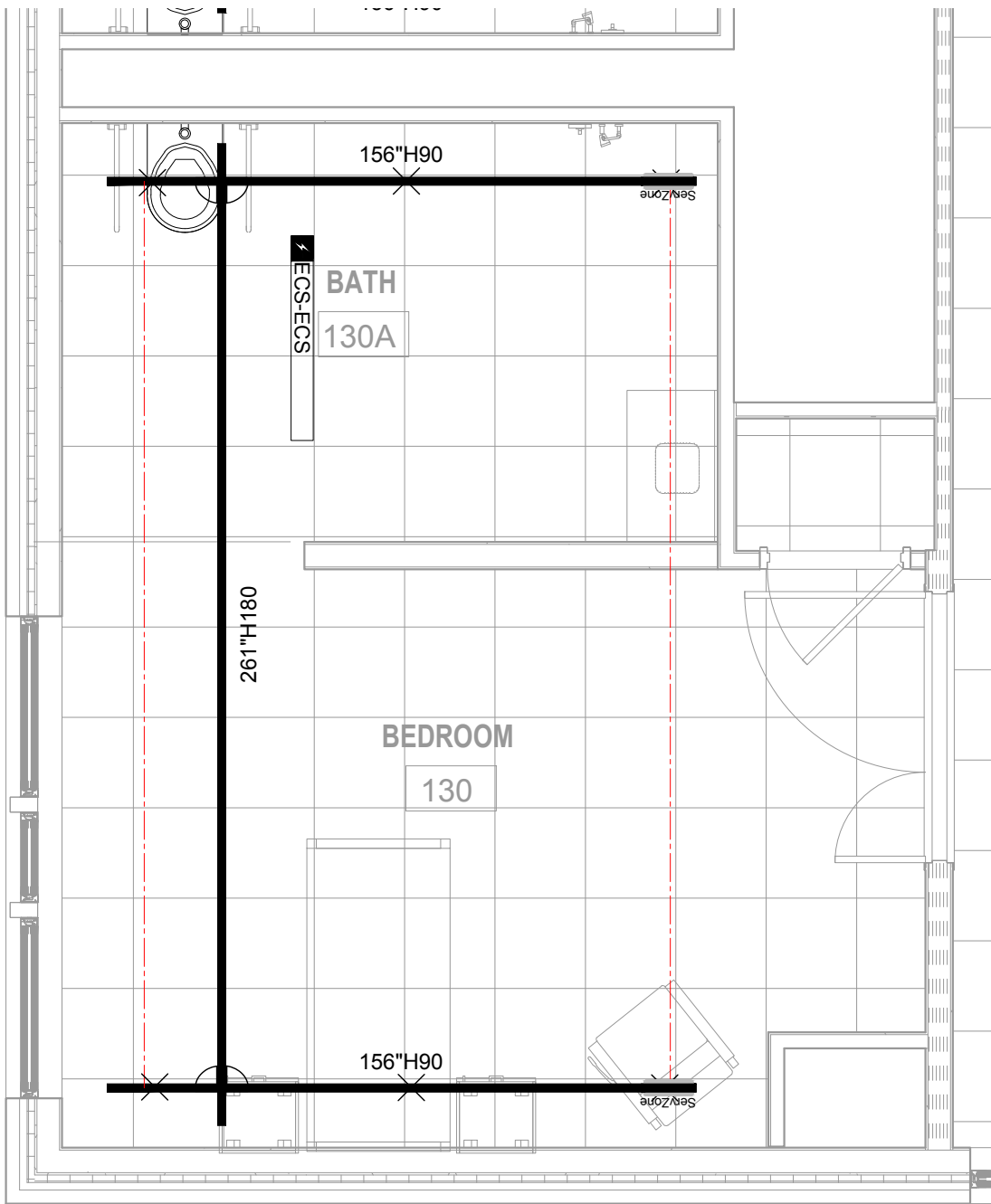
DRAWN BY : un001629 SCALE : 1/4" = 1'

REFERENCE # : QC-11032301 PAGE : 6 / 19

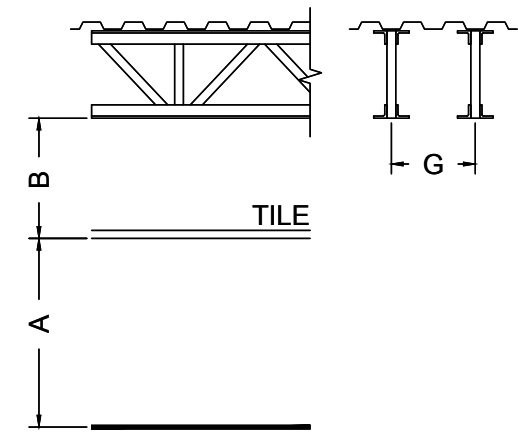
THIS LAYOUT HAS BEEN PREPARED WITH SUPPLIED DATA.

NOTE: CUTTING OF RAILS ON SITE ONLY





- ALL HARDWARE INCLUDED.
(ACCORDING TO STRUCTURE)



A=108"
~~B=528"~~
 B=52"
~~C=72"~~
 B=62"

EMBEDDED TRACKS
ECS SYSTEM

QUANTITY OF ROOMS:	1
LISTING OF ROOM NUMBER(S):	130

**VA TRINKA DAVIS
VETERAN VILLAGE**

SAFE WORKING LOAD BELOW LIFT: 600LB [272KG]
 WEIGHT FOR LOAD TEST MAY VARY DEPENDING YOUR REGION

Rev2-un001629	10-NOV-2023
Rev1-un001629	07-NOV-2023
DATE CREATED (DD-MMM-YYYY) :	03-NOV-2023
DRAWN BY :	SCALE :
un001629	1/4" = 1'
REFERENCE # :	PAGE :
QC-11032301	7 / 19

NOTE: ATTENTION INSTALLERS

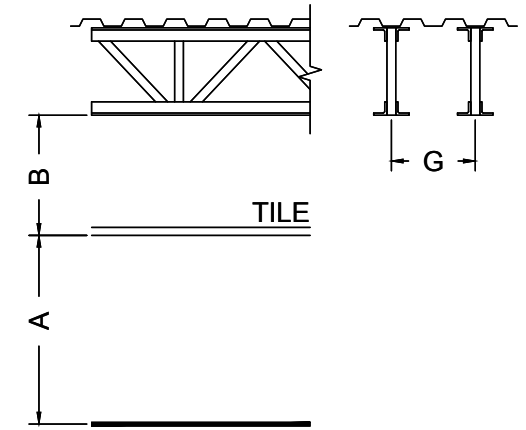
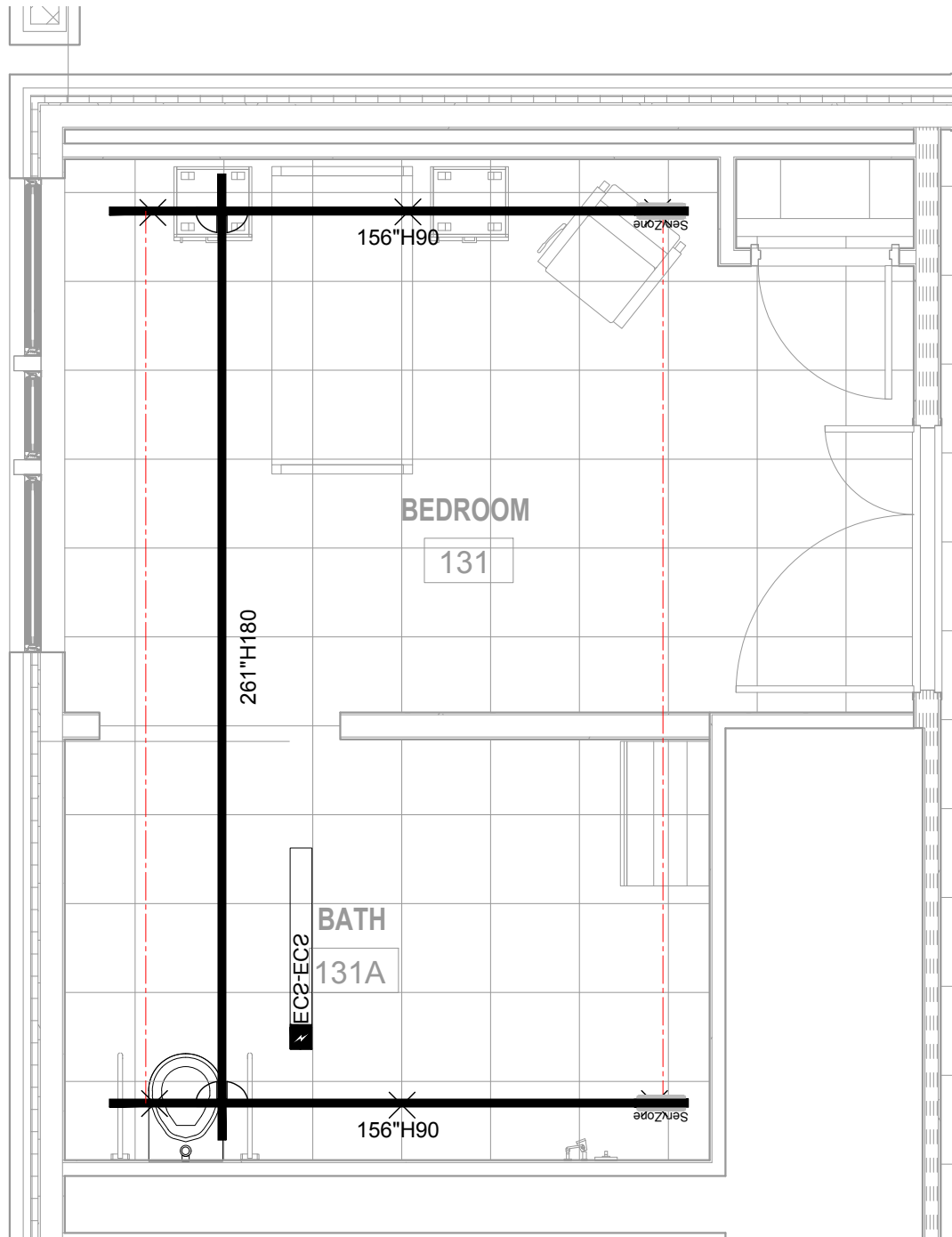
*****Any deviation/changes from the Arjo specified installation details i.e. hardware, bracing, track layout MUST be captured, marked on the drawings and returned to Arjo for an as built revision.*****

THIS LAYOUT HAS BEEN PREPARED WITH SUPPLIED DATA.

NOTE: CUTTING OF RAILS ON SITE ONLY



- ALL HARDWARE INCLUDED.
(ACCORDING TO STRUCTURE)



A=108"
B=52"
F=16"
G=72"
H=6"

EMBEDDED TRACKS
ECS SYSTEM

QUANTITY OF ROOMS: 1

LISTING OF ROOM NUMBER(S):
131

**VA TRINKA DAVIS
VETERAN VILLAGE**

SAFE WORKING LOAD BELOW LIFT: 600LB [272KG]
WEIGHT FOR LOAD TEST MAY VARY DEPENDING YOUR REGION

Rev2-un001629	10-NOV-2023
Rev1-un001629	07-NOV-2023
DATE CREATED (DD-MMM-YYYY) :	03-NOV-2023

DRAWN BY : un001629 SCALE : 1/4" = 1'

REFERENCE # : QC-11032301 PAGE : 8 / 19

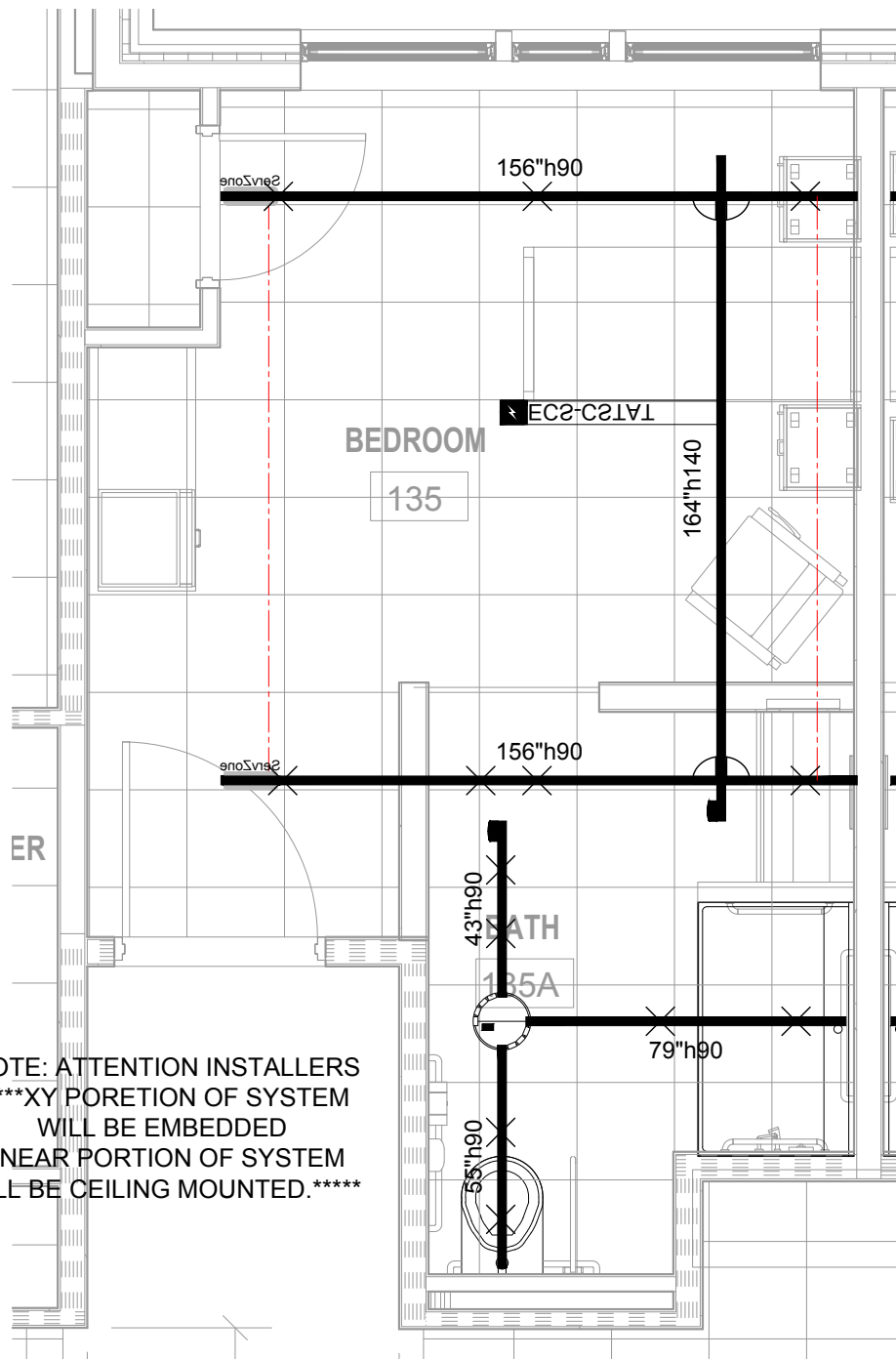
NOTE: ATTENTION INSTALLERS

*****Any deviation/changes from the Arjo specified installation details i.e. hardware, bracing, track layout MUST be captured, marked on the drawings and returned to Arjo for an as built revision.*****

THIS LAYOUT HAS BEEN PREPARED WITH SUPPLIED DATA.

NOTE: CUTTING OF RAILS ON SITE ONLY





NOTE: ATTENTION INSTALLERS
 *****XY PORETION OF SYSTEM
 WILL BE EMBEDDED
 LINEAR PORTION OF SYSTEM
 WILL BE CEILING MOUNTED.*****

NOTE: ATTENTION INSTALLERS

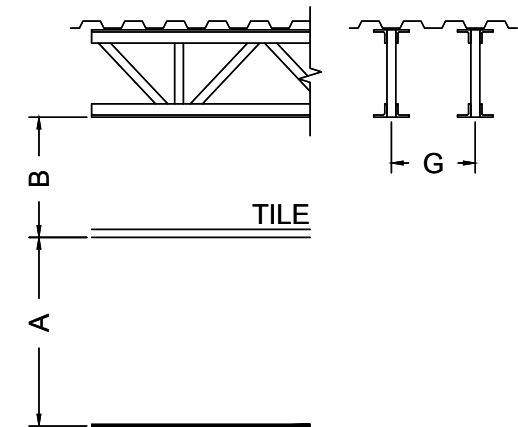
*****Any deviation/changes from the Arjo specified installation details i.e. hardware, bracing, track layout
 MUST be captured, marked on the drawings and returned to Arjo for an as built revision.*****

THIS LAYOUT HAS BEEN PREPARED WITH SUPPLIED DATA.

NOTE: CUTTING OF RAILS ON SITE ONLY



- ALL HARDWARE INCLUDED.
 (ACCORDING TO STRUCTURE)



A=108"
 B=52"
 F=16"
 G=72"
 H=6"

EMBEDDED TRACKS
 ECS SYSTEM

QUANTITY OF ROOMS: 1

LISTING OF ROOM NUMBER(S):
 135

**VA TRINKA DAVIS
 VETERAN VILLAGE**

SAFE WORKING LOAD BELOW LIFT: 600LB [272KG]
 WEIGHT FOR LOAD TEST MAY VARY DEPENDING YOUR REGION

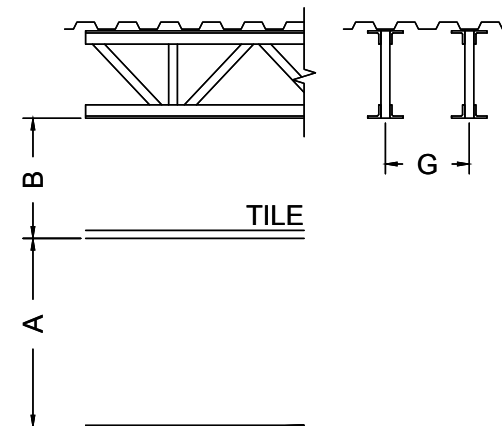
Rev2-un001629	10-NOV-2023
Rev1-un001629	07-NOV-2023
DATE CREATED (DD-MMM-YYYY) :	03-NOV-2023

DRAWN BY : un001629 SCALE : 1/4" = 1'

REFERENCE # : QC-11032301 PAGE : 9 / 19



- ALL HARDWARE INCLUDED.
(ACCORDING TO STRUCTURE)



A=108"
B=508"
B=50"
G=102"
G=82"

EMBEDDED TRACKS
ECS SYSTEM

QUANTITY OF ROOMS: 1

LISTING OF ROOM NUMBER(S):
136

**VA TRINKA DAVIS
VETERAN VILLAGE**

SAFE WORKING LOAD BELOW LIFT: 600LB [272KG]
WEIGHT FOR LOAD TEST MAY VARY DEPENDING YOUR REGION

Rev2-un001629	10-NOV-2023
Rev1-un001629	07-NOV-2023

DATE CREATED (DD-MMM-YYYY) : 03-NOV-2023

DRAWN BY : un001629
SCALE : 1/4" = 1'

REFERENCE # : QC-11032301
PAGE : 10 / 19

NOTE: ATTENTION INSTALLERS

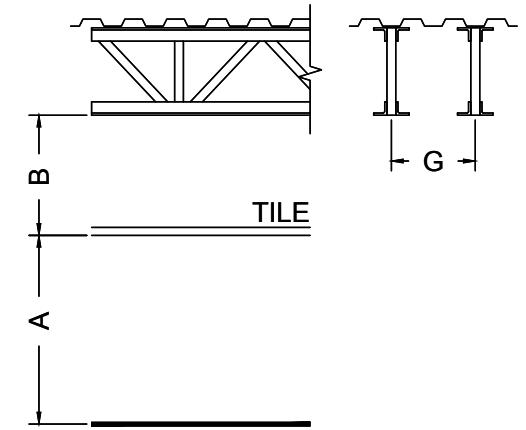
*****Any deviation/changes from the Arjo specified installation details i.e. hardware, bracing, track layout MUST be captured, marked on the drawings and returned to Arjo for an as built revision.*****

THIS LAYOUT HAS BEEN PREPARED WITH SUPPLIED DATA.

NOTE: CUTTING OF RAILS ON SITE ONLY

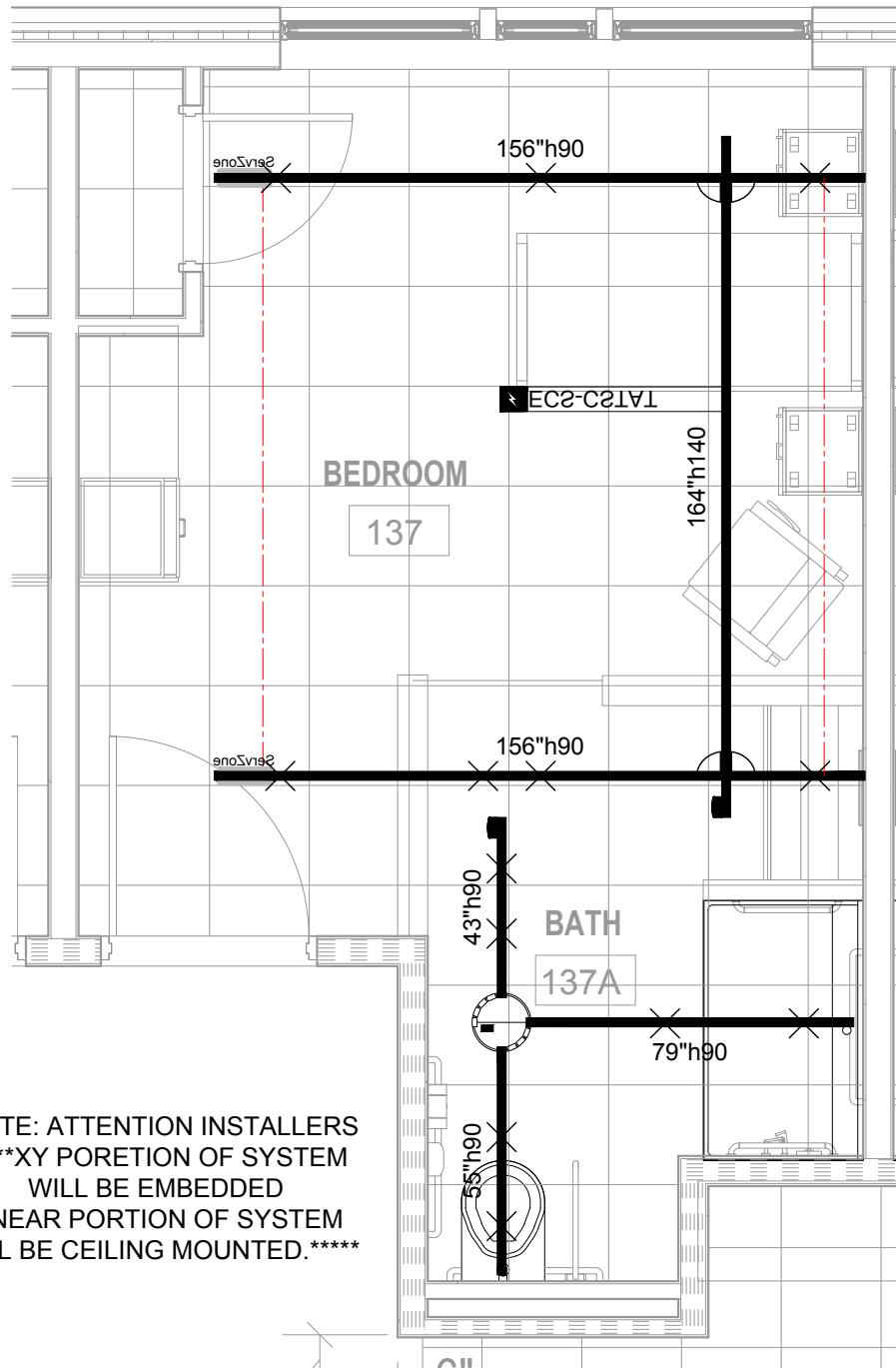


- ALL HARDWARE INCLUDED.
(ACCORDING TO STRUCTURE)



A=108"
B=528"
B=52"
B=72"
B=82"

EMBEDDED TRACKS
ECS SYSTEM



QUANTITY OF ROOMS: 1

LISTING OF ROOM NUMBER(S):
137

**VA TRINKA DAVIS
VETERAN VILLAGE**

SAFE WORKING LOAD BELOW LIFT: 600LB [272KG]
WEIGHT FOR LOAD TEST MAY VARY DEPENDING YOUR REGION

--	--

Rev2-un001629 10-NOV-2023

Rev1-un001629 07-NOV-2023

DATE CREATED (DD-MMM-YYYY) : 03-NOV-2023

DRAWN BY : un001629 SCALE : 1/4" = 1'

REFERENCE # : QC-11032301 PAGE : 11 / 19

NOTE: ATTENTION INSTALLERS
*****XY PORETION OF SYSTEM
WILL BE EMBEDDED
LINEAR PORTION OF SYSTEM
WILL BE CEILING MOUNTED.*****

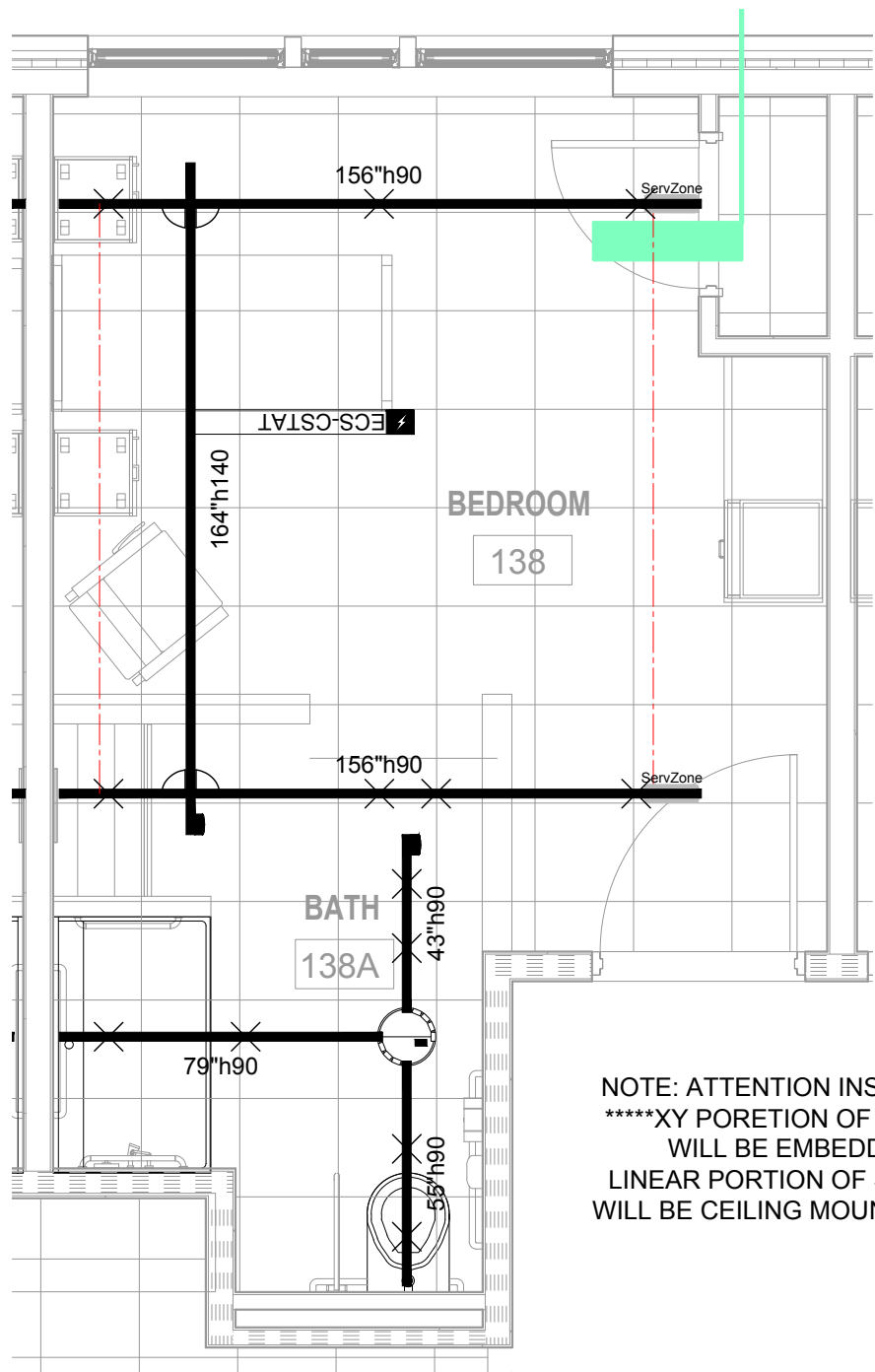
NOTE: ATTENTION INSTALLERS

*****Any deviation/changes from the Arjo specified installation details i.e. hardware, bracing, track layout
MUST be captured, marked on the drawings and returned to Arjo for an as built revision.*****

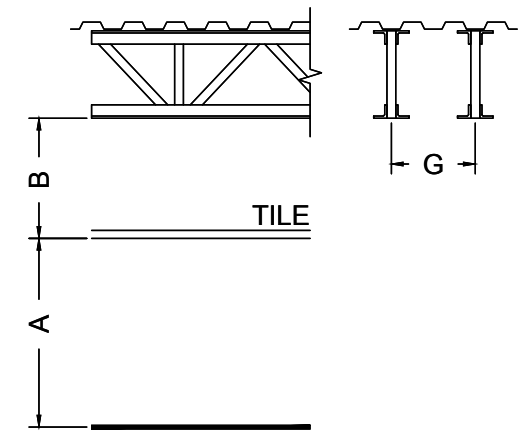
THIS LAYOUT HAS BEEN PREPARED WITH SUPPLIED DATA.

NOTE: CUTTING OF RAILS ON SITE ONLY





- ALL HARDWARE INCLUDED.
(ACCORDING TO STRUCTURE)



A=108"
B=52"
F=16"
G=72"
H=6"

EMBEDDED TRACKS
ECS SYSTEM

NOTE: ATTENTION INSTALLERS
*****XY PORETION OF SYSTEM
WILL BE EMBEDDED
LINEAR PORTION OF SYSTEM
WILL BE CEILING MOUNTED.*****

NOTE: ATTENTION INSTALLERS

*****Any deviation/changes from the Arjo specified installation details i.e. hardware, bracing, track layout
MUST be captured, marked on the drawings and returned to Arjo for an as built revision.*****

QUANTITY OF ROOMS: 1

LISTING OF ROOM NUMBER(S):
138

**VA TRINKA DAVIS
VETERAN VILLAGE**

SAFE WORKING LOAD BELOW LIFT: 600LB [272KG]
WEIGHT FOR LOAD TEST MAY VARY DEPENDING YOUR REGION

--	--

Rev2-un001629 10-NOV-2023

Rev1-un001629 07-NOV-2023

DATE CREATED (DD-MMM-YYYY) : 03-NOV-2023

DRAWN BY :
un001629

SCALE :
1/4" = 1'

REFERENCE # :
QC-11032301

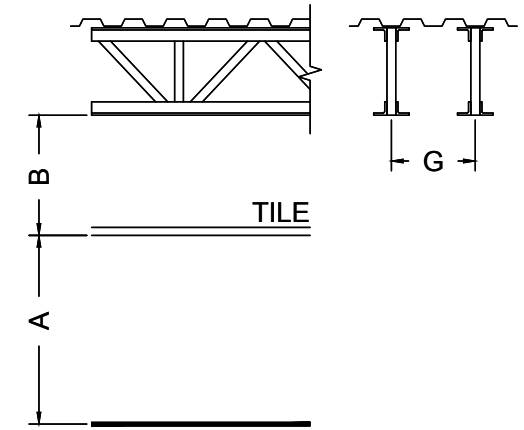
PAGE :
12 / 19

THIS LAYOUT HAS BEEN PREPARED WITH SUPPLIED DATA.

NOTE: CUTTING OF RAILS ON SITE ONLY

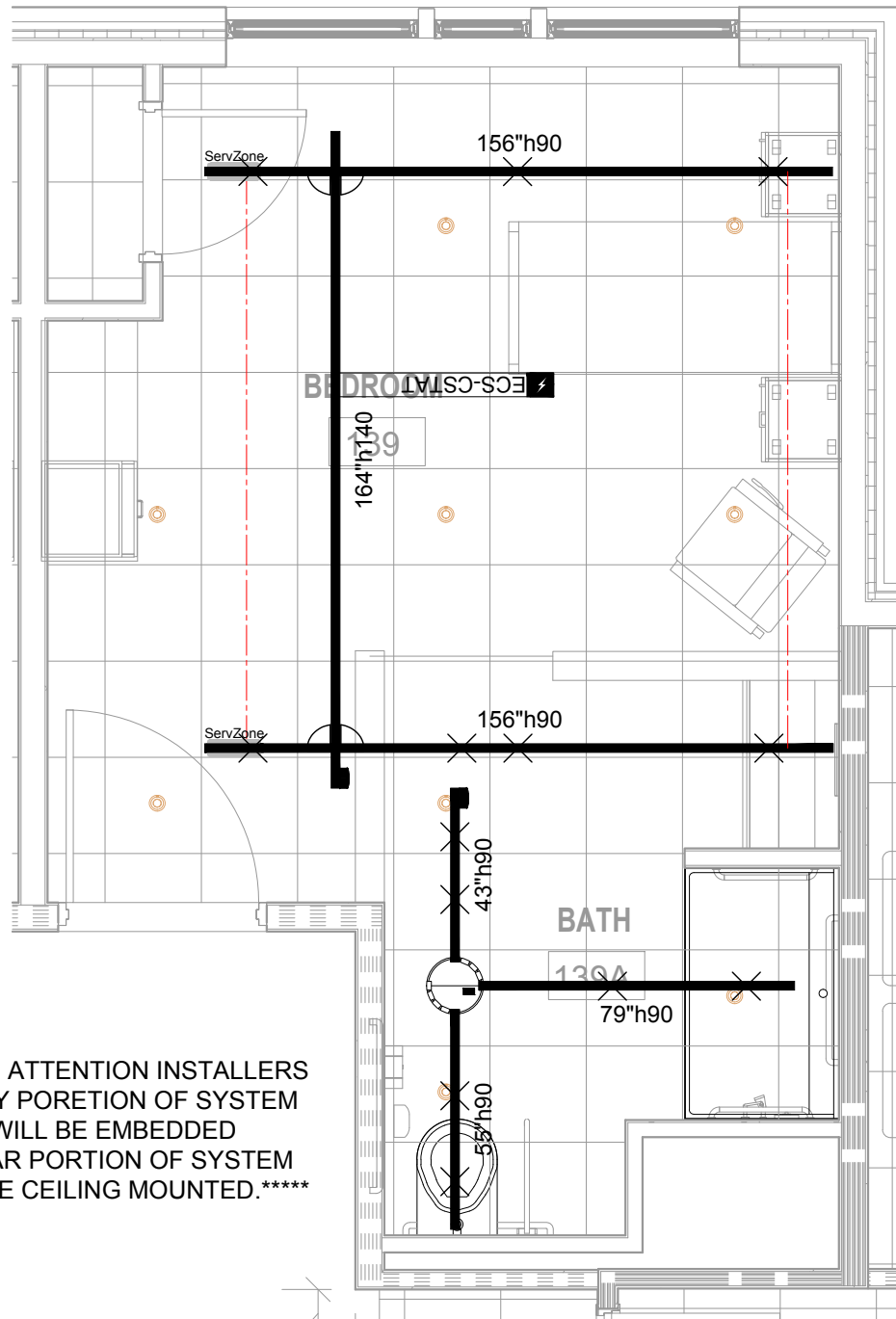


- ALL HARDWARE INCLUDED.
(ACCORDING TO STRUCTURE)



A=108"
B=52"
F=16"
G=72"
H=6"

EMBEDDED TRACKS
ECS SYSTEM



QUANTITY OF ROOMS: 1

LISTING OF ROOM NUMBER(S):
139

**VA TRINKA DAVIS
VETERAN VILLAGE**

SAFE WORKING LOAD BELOW LIFT: 600LB [272KG]
WEIGHT FOR LOAD TEST MAY VARY DEPENDING YOUR REGION

Rev2-un001629 10-NOV-2023

Rev1-un001629 07-NOV-2023

DATE CREATED (DD-MMM-YYYY) : 03-NOV-2023

DRAWN BY :
un001629

SCALE :
1/4" = 1'

REFERENCE # :
QC-11032301

PAGE :
13 / 19

NOTE: ATTENTION INSTALLERS
*****XY PORETION OF SYSTEM
WILL BE EMBEDDED
LINEAR PORTION OF SYSTEM
WILL BE CEILING MOUNTED.*****

NOTE: ATTENTION INSTALLERS

*****Any deviation/changes from the Arjo specified installation details i.e. hardware, bracing, track layout
MUST be captured, marked on the drawings and returned to Arjo for an as built revision.*****

THIS LAYOUT HAS BEEN PREPARED WITH SUPPLIED DATA.

NOTE: CUTTING OF RAILS ON SITE ONLY

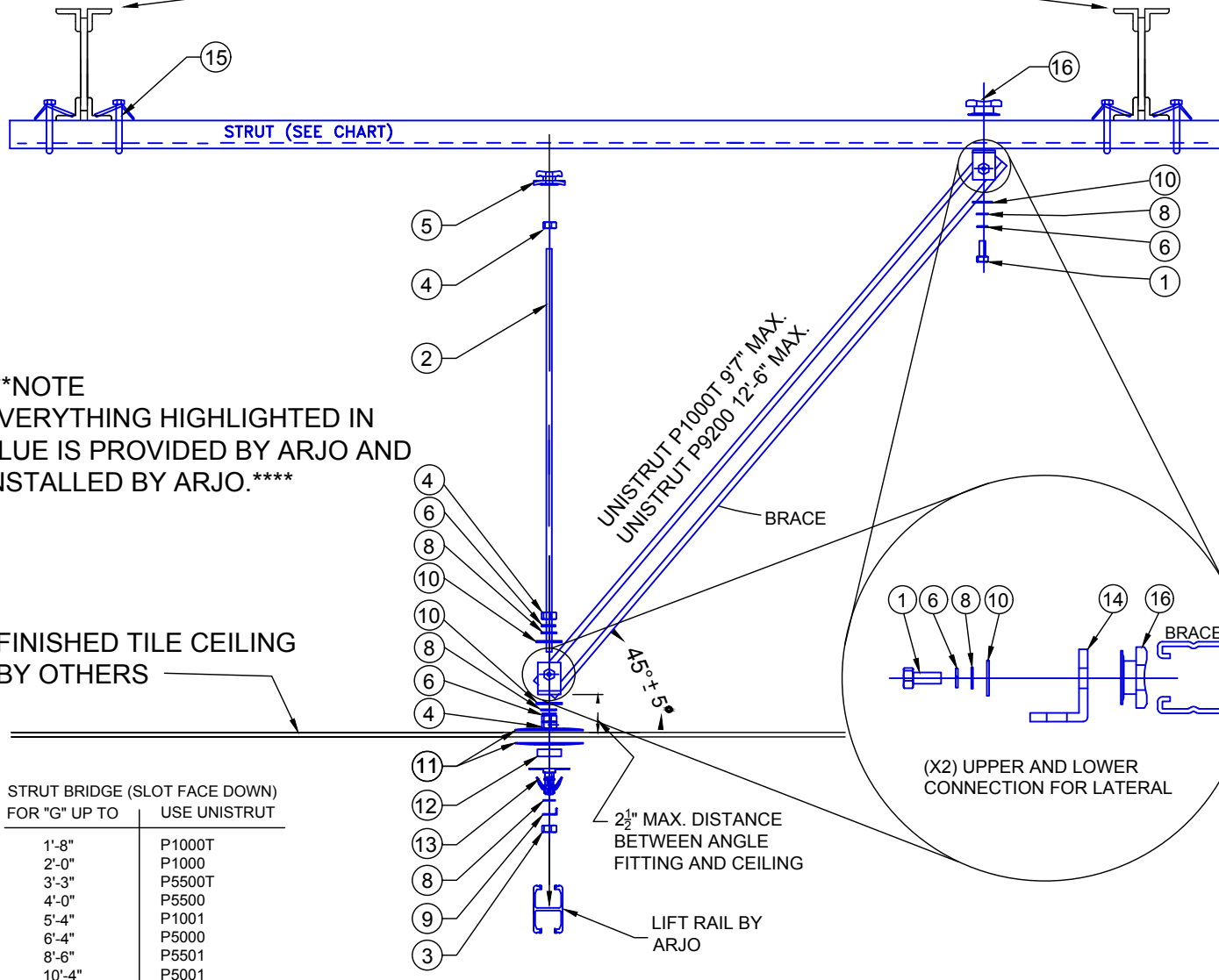


LIFT CAPACITY= 600 LBS

STANDARD TRACK INSTALLATION MS2

LINEAR PORTION

OWJ STRUCTURE BY OTHERS



***NOTE
EVERYTHING HIGHLIGHTED IN BLUE IS PROVIDED BY ARJO AND INSTALLED BY ARJO.****

- ALL HARDWARE INCLUDED.
(ACCORDING TO STRUCTURE)

Item #	Part #	Description	Qty
1	000.00375	BOLT 3/8" - 16 X 1 1/4"	3
2	000.00394	THREADED ROD 3/8-16 X 10' ZINC	1
3	000.00402	LOCKNUT STOVER 3/8-16 ZINC	1
4	000.00405	NUT 3/8-16 ZINC	4
5	000.00424	SADDLE NUT 3/8"-16	1
6	000.00425	LOCKWASHER 3/8"	5
8	000.04430	FLAT WASHER M10 ZINC	6
9	000.04435	TAB WASHER M10	1
10	000.04875	FLAT WASHER M12	5
11	200.11140	CEILING PLATE ø100MM	2
12	200.11170	BRACKET SHIM 12mm	1
	200.11160	BRACKET SHIM 3mm	1
	200.11150	BRACKET SHIM 1.5mm	1
13	700.11100	TRACK BRACKET KWIKTRAK	1
14	LUS-P1068	UNISTRUT ANGLE	2
15	LUS-P27XX	UNISTRUT BEAM CLAMP (PENDING ON STRUT USAGE)	4
16	000.00426	CHANNEL NUT 3/8-16	3

VA TRINKA DAVIS
VETERAN VILLAGE

SAFE WORKING LOAD BELOW LIFT: 600LB [272KG]

"NOTE: ARJO GUARANTEES THE STRUCTURAL INTEGRITY OF THE TOTAL LIFT SYSTEM DESIGN, INCLUDING TRACK, BRACING, HANGERS, AND ALL CONNECTIONS TO THE BUILDING STRUCTURE. OUR DESIGN IS BASED ON THE REQUIREMENTS OF THE CURRENT INTERNATIONAL BUILDING CODE (IBC) AND THE SEISMIC LOADS OF THE REGION. THE FACILITY MUST VERIFY THE ADEQUACY OF THE BUILDING STRUCTURE TO SUPPORT THE LOADS IMPOSED BY THE LIFT SYSTEM."

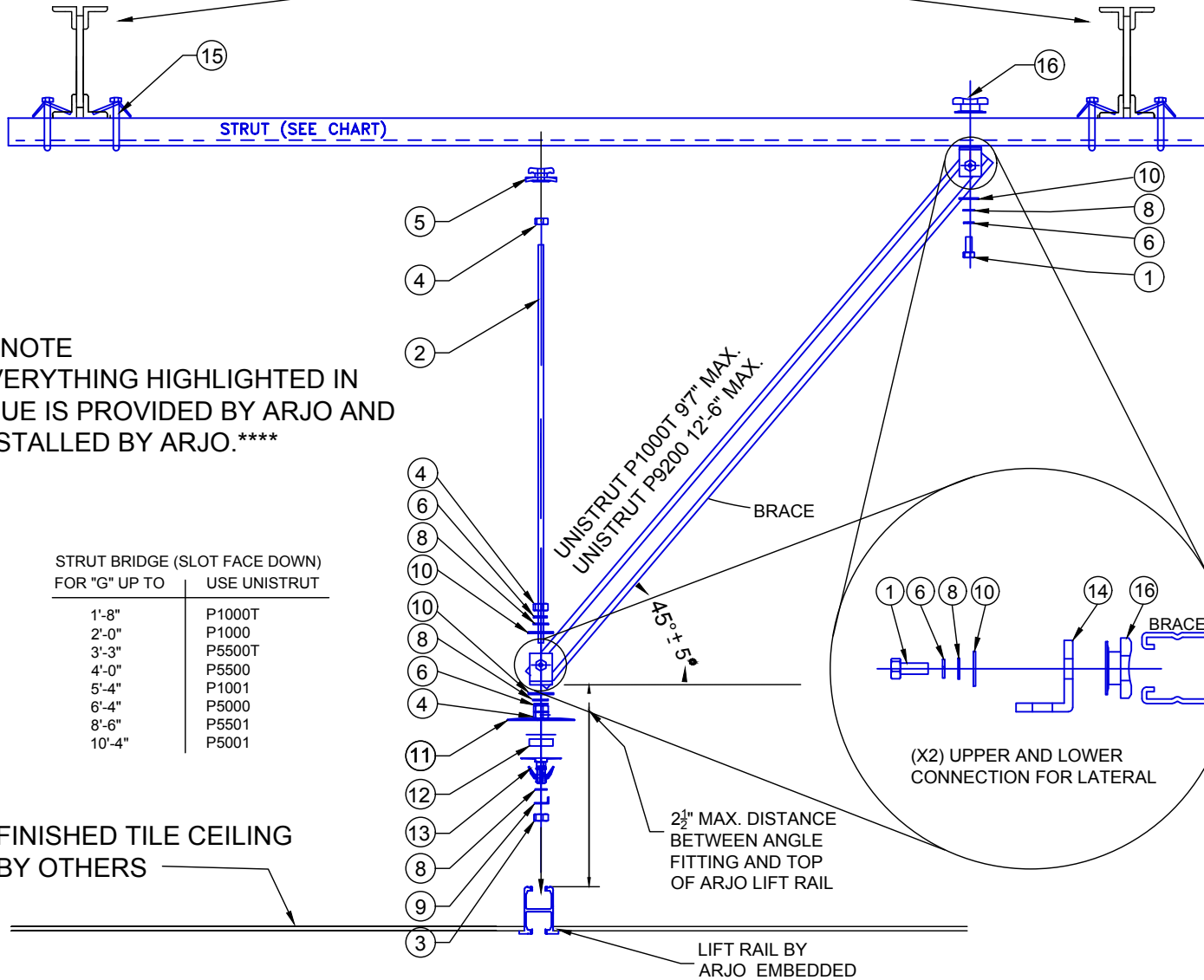
Rev2-un001629	10-NOV-2023
Rev1-un001629	07-NOV-2023
DATE CREATED (DD-MMM-YYYY) :	03-NOV-2023
DRAWN BY : un001629	SCALE : N/A
REFERENCE # : QC-11032301	PAGE : 14 / 19

LIFT CAPACITY= 600 LBS

XY PORTION

EMBEDDED TRACK INSTALLATION MS2

OWJ STRUCTURE BY OTHERS



STRUT BRIDGE (SLOT FACE DOWN) FOR "G" UP TO	USE UNISTRUT
1'-8"	P1000T
2'-0"	P1000
3'-3"	P5500T
4'-0"	P5500
5'-4"	P1001
6'-4"	P5000
8'-6"	P5501
10'-4"	P5001

- ALL HARDWARE INCLUDED.
(ACCORDING TO STRUCTURE)

Item #	Part #	Description	Qty
1	000.00375	BOLT 3/8" - 16 X 1 1/4"	3
2	000.00394	THREADED ROD 3/8-16 X 10' ZINC	1
3	000.00402	LOCKNUT STOVER 3/8-16 ZINC	1
4	000.00405	NUT 3/8-16 ZINC	4
5	000.00424	SADDLE NUT 3/8"-16	1
6	000.00425	LOCKWASHER 3/8"	5
8	000.04430	FLAT WASHER M10 ZINC	6
9	000.04435	TAB WASHER M10	1
10	000.04875	FLAT WASHER M12	5
11	200.11140	CEILING PLATE ø100MM	1
12	200.11170	BRACKET SHIM 12mm	1
	200.11160	BRACKET SHIM 3mm	1
	200.11150	BRACKET SHIM 1.5mm	1
13	700.11100	TRACK BRACKET KWIKTRAK	1
14	LUS-P1068	UNISTRUT ANGLE	2
15	LUS-P27XX	UNISTRUT BEAM CLAMP (PENDING ON STRUT USAGE)	4
16	000.00426	CHANNEL NUT 3/8-16	3

VA TRINKA DAVIS
VETERAN VILLAGE

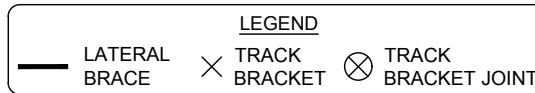
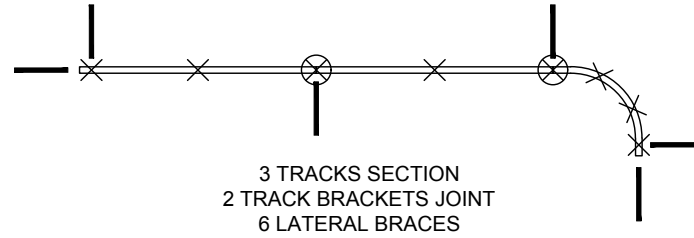
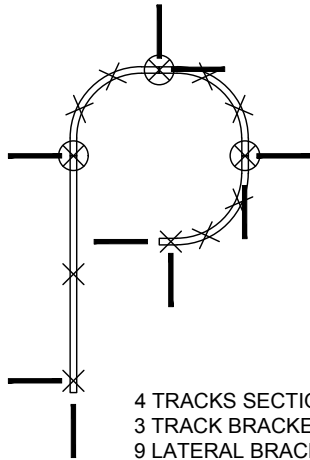
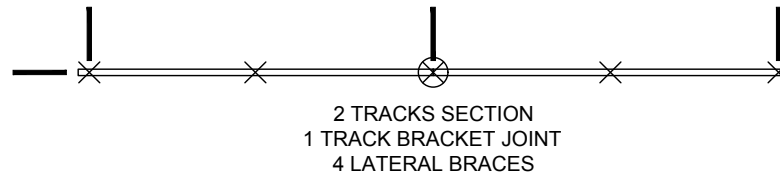
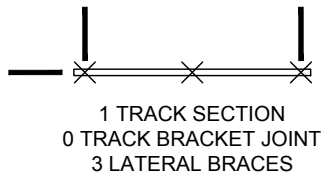
SAFE WORKING LOAD BELOW LIFT: 600LB [272KG]

"NOTE: ARJO GUARANTEES THE STRUCTURAL INTEGRITY OF THE TOTAL LIFT SYSTEM DESIGN, INCLUDING TRACK, BRACING, HANGERS, AND ALL CONNECTIONS TO THE BUILDING STRUCTURE. OUR DESIGN IS BASED ON THE REQUIREMENTS OF THE CURRENT INTERNATIONAL BUILDING CODE (IBC) AND THE SEISMIC LOADS OF THE REGION. THE FACILITY MUST VERIFY THE ADEQUACY OF THE BUILDING STRUCTURE TO SUPPORT THE LOADS IMPOSED BY THE LIFT SYSTEM."

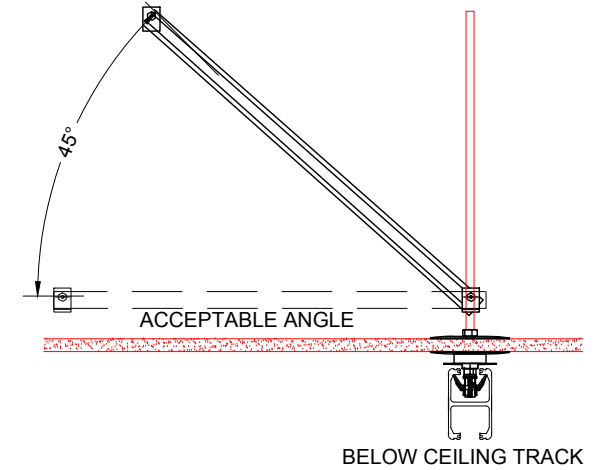
DRAWN BY: un001629	SCALE: N/A
REFERENCE #: QC-11032301	PAGE: 15 / 19

LATERAL BRACE REQUIREMENTS REV-3

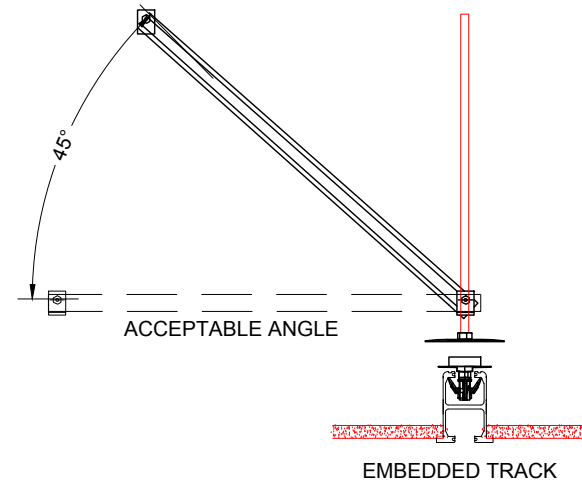
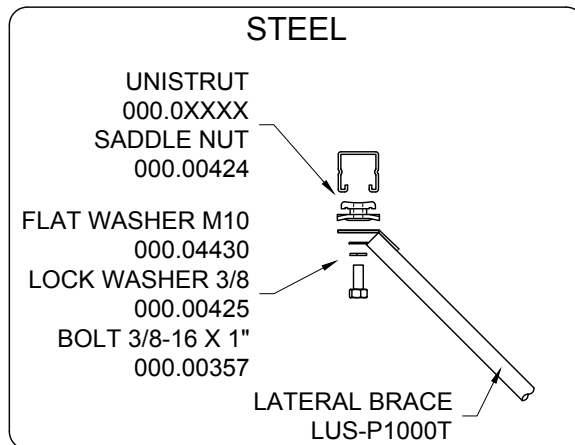
- ALL HARDWARE INCLUDED.
(ACCORDING TO STRUCTURE)



- MINIMUM 3 LATERAL BRACES.
- NUMBER OF LATERAL BRACE = (NUMBER OF TRACK BRACKET JOINT X 2) + 2.



POSSIBLE ANCHOR LATERAL TO THE CEILING OR TO THE WALL



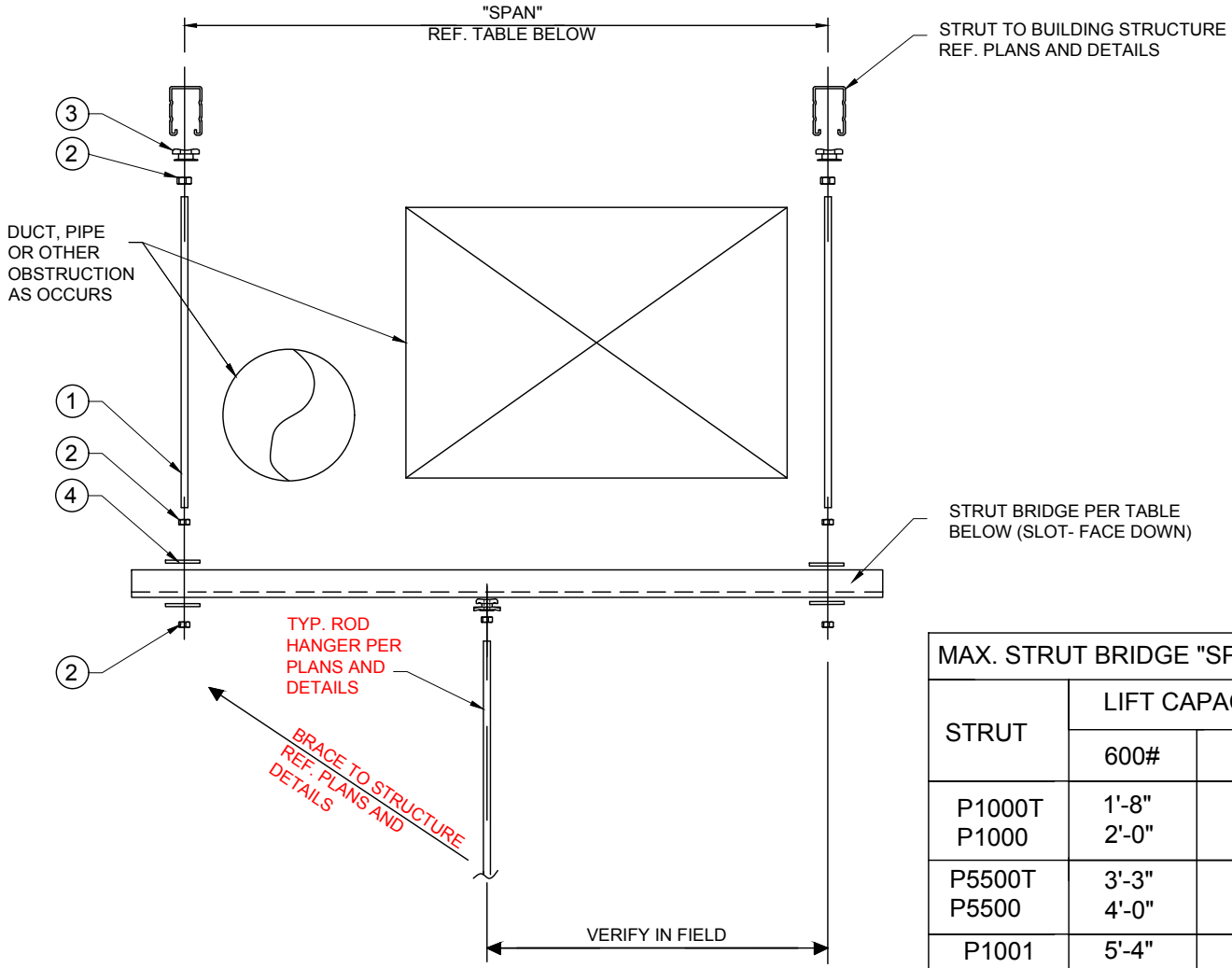
**VA TRINKA DAVIS
VETERAN VILLAGE**

SAFE WORKING LOAD BELOW LIFT: 600LB [272KG]

Rev2-un001629	10-NOV-2023
Rev1-un001629	07-NOV-2023
DATE CREATED (DD-MMM-YYYY) :	03-NOV-2023
DRAWN BY : un001629	SCALE : N/A
REFERENCE # : QC-11032301	PAGE : 16 / 19

- ALL HARDWARE INCLUDED.
(ACCORDING TO STRUCTURE)

BRIDGE DETAIL



Item #	Part #	Description	Qty
1	000.00394	THREADED ROD 3/8-16 X 10' ZINC	2
2	000.00405	NUT 3/8-16 ZINC	6
3	000.00424	SADDLE NUT 3/8	2
4	LUS-P1063	SQUARE PLATE 3/8"	4

MAX. STRUT BRIDGE "SPAN"		
STRUT	LIFT CAPACITY	
	600#	
P1000T P1000	1'-8" 2'-0"	
P5500T P5500	3'-3" 4'-0"	
P1001 P5000	5'-4" 6'-4"	
P5501 P5001	8'-6" 10'-4"	

VA TRINKA DAVIS VETERAN VILLAGE

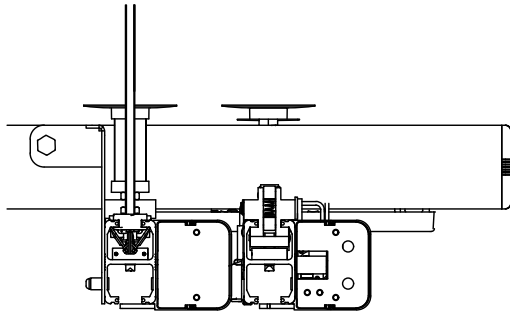
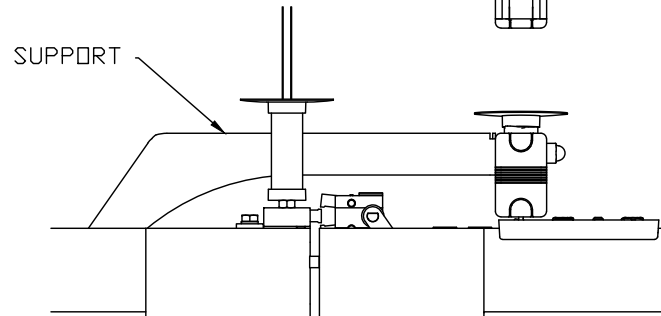
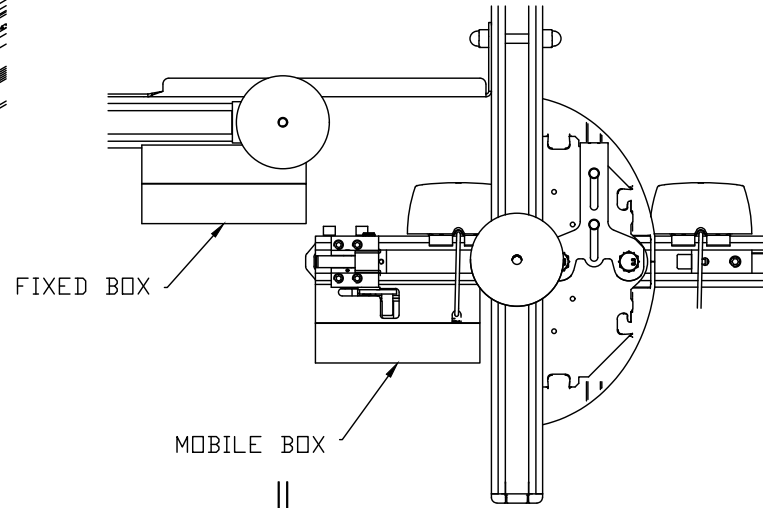
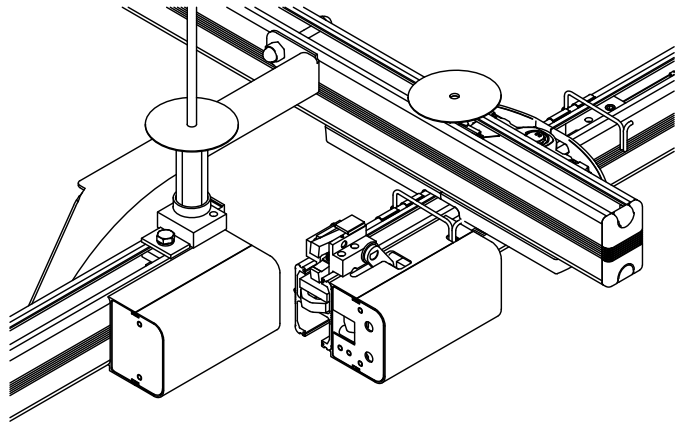
SAFE WORKING LOAD BELOW LIFT: 600LB [272KG]

Rev2-un001629	10-NOV-2023
Rev1-un001629	07-NOV-2023
DATE CREATED (DD-MMM-YYYY) :	03-NOV-2023

DRAWN BY : un001629	SCALE : N/A
REFERENCE # : QC-11032301	PAGE : 17 / 19

"NOTE: ARJO GUARANTEES THE STRUCTURAL INTEGRITY OF THE TOTAL LIFT SYSTEM DESIGN, INCLUDING TRACK, BRACING, HANGERS, AND ALL CONNECTIONS TO THE BUILDING STRUCTURE. OUR DESIGN IS BASED ON THE REQUIREMENTS OF THE CURRENT INTERNATIONAL BUILDING CODE (IBC) AND THE SEISMIC LOADS OF THE REGION. THE FACILITY MUST VERIFY THE ADEQUACY OF THE BUILDING STRUCTURE TO SUPPORT THE LOADS IMPOSED BY THE LIFT SYSTEM."

- ALL HARDWARE INCLUDED.
(ACCORDING TO STRUCTURE)



X-Y GATE SYSTEM

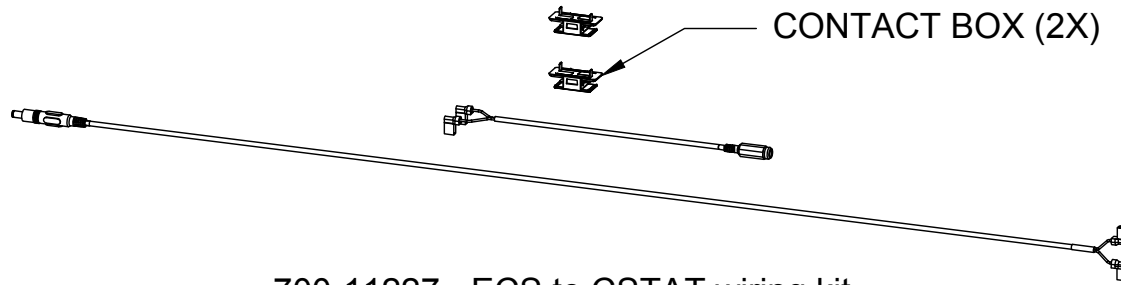
VA TRINKA DAVIS
VETERAN VILLAGE

SAFE WORKING LOAD BELOW LIFT: 600LB [272KG]

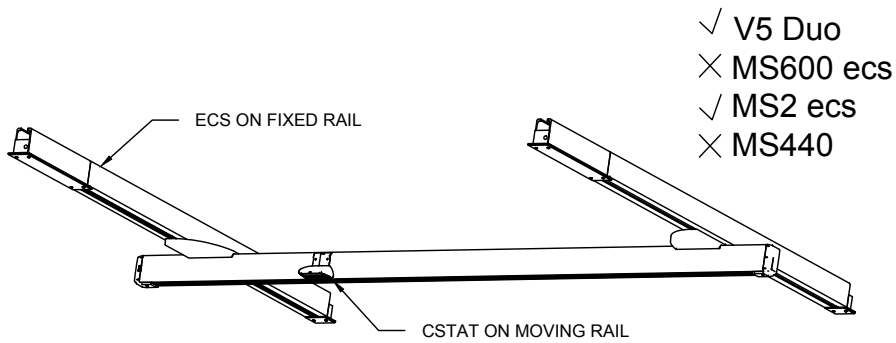
Rev2-un001629	10-NOV-2023
Rev1-un001629	07-NOV-2023
DATE CREATED (DD-MMM-YYYY) :	03-NOV-2023

DRAWN BY : un001629	SCALE : N/A
REFERENCE # : QC-11032301	PAGE : 18 / 19

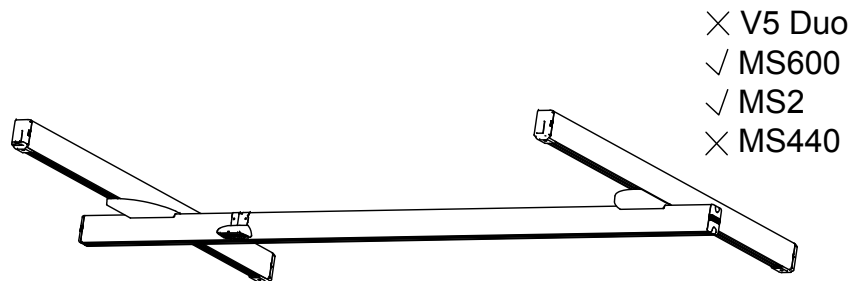
- ALL HARDWARE INCLUDED.
(ACCORDING TO STRUCTURE)



700-11227 - ECS to CSTAT wiring kit



EMBEDDED X-Y CONFIG.



STANDARD X-Y CONFIG.

ECS - CSTAT CHARGING

**VA TRINKA DAVIS
VETERAN VILLAGE**

SAFE WORKING LOAD BELOW LIFT: 600LB [272KG]

Rev2-un001629	10-NOV-2023
Rev1-un001629	07-NOV-2023

DATE CREATED (DD-MMM-YYYY) : 03-NOV-2023

DRAWN BY : un001629	SCALE : N/A
------------------------	----------------

REFERENCE # : QC-11032301	PAGE : 19 / 19
------------------------------	-------------------